

# ELTANIN 1 ASYMMETRICAL FLOODLIGHT



## FEATURES

- Die cast aluminium construction
- Powder coated black finish
- Weatherproof IP65
- RX7s lamp holders
- Stainless steel screws
- Asymmetrical distribution for control of glare and obtrusive light
- Peened aluminium reflector for wide beam applications and specular aluminium reflector for narrow beam applications
- One piece silicon gasket
- Powder coated steel trunnion arm mounting bracket
- Tempered glass in hinged frame
- Fitted with 20mm compression gland for cable entry
- Integral or remote control gear
- Only available with blocking inductor when using remote control

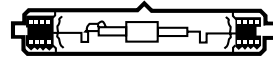
## APPLICATION

The Eltanin 1 floodlight features an asymmetrical reflector system & is suitable for security applications, small area lighting, and many architectural applications. The asymmetrical reflector makes it particularly suitable for areas where the control of spill lighting and glare is important.

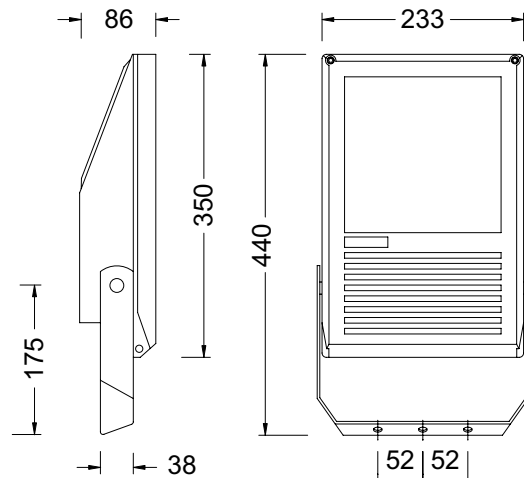
Model No.	Beam	Type
EL1N70MHx	Narrow	Metal Halide
EL1W70MHx	Wide	Metal Halide
EL1N150MHx	Narrow	Metal Halide
EL1W150MHx	Wide	Metal Halide
EL1N70Sx	Narrow	HPS
EL1W70Sx	Wide	HPS
EL1N150Sx	Narrow	HPS
EL1W150Sx	Wide	HPS

## Lamp type

Double ended Rx7s lamp



## DIMENSIONS



Sail area 0.082m<sup>2</sup>

## Packaging

Floodlight carton size: 360 x 260 x 95mm  
 Outer carton size: 400 x 375 x 280mm  
 Quantity per outer: 4  
 Floodlight weight: 4.8 Kg (maximum)

## x designates optional configuration

RC	For remote control (no control gear)
IGRC	For remote control (no control gear) fitted with igniter
NL	No lamp

For remote control see general catalogue section Q

ELTANIN 1 ASYMMETRICAL FLOODLIGHT



Manufactured to standards – IEC60598.1  
 IEC60598.2.5  
 CISPR 15



“When your  
 business  
 depends  
 on light.”

# ELTANIN 1 ASYMMETRICAL FLOODLIGHT

## 70W METAL HALIDE WIDE BEAM

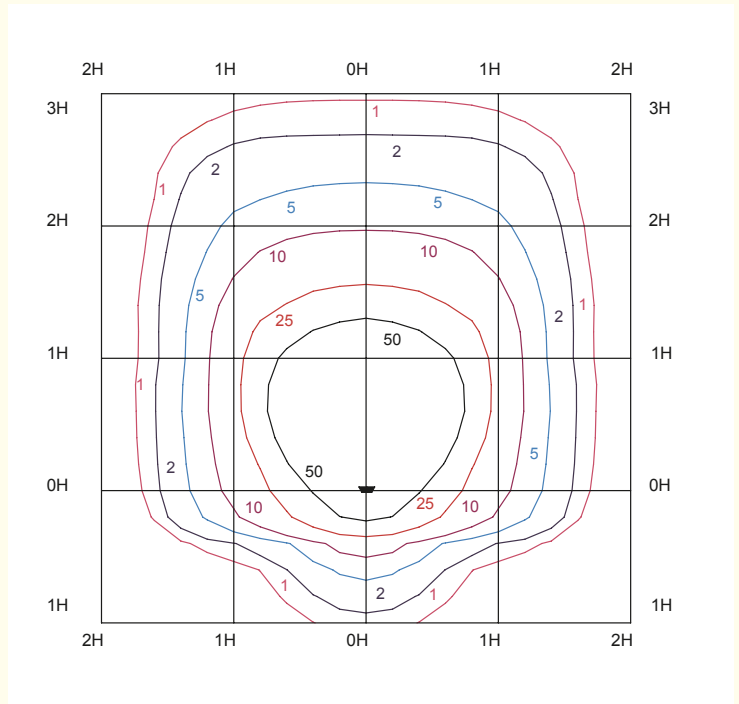
PHOTOMETRY: NORMAL TO GLASS  
 I-MAX: 559.6 CD/KLM  
 (+ 40° NORMAL TO GLASS)  
 BEAM ANGLE: (50% I-MAX) 63.4H X 40.2V  
 FIELD ANGLE: (10% I-MAX) 95.8H X 89.2 V  
 NEMA CLASS: H5 X V5  
 BEAM TYPE: MEDIUM WIDE

EL1W70MH MOUNTED AT 3 METERS  
 AIMING ANGLE 0°  
 LAMP LUMENS 5800  
 LLF 0.8

H = MOUNTING HEIGHT

### Multiplying factor for change of mounting height

3m Height	Multiplier
2	2.25
3	1.00
4	0.56
5	0.36



## 150W METAL HALIDE WIDE BEAM

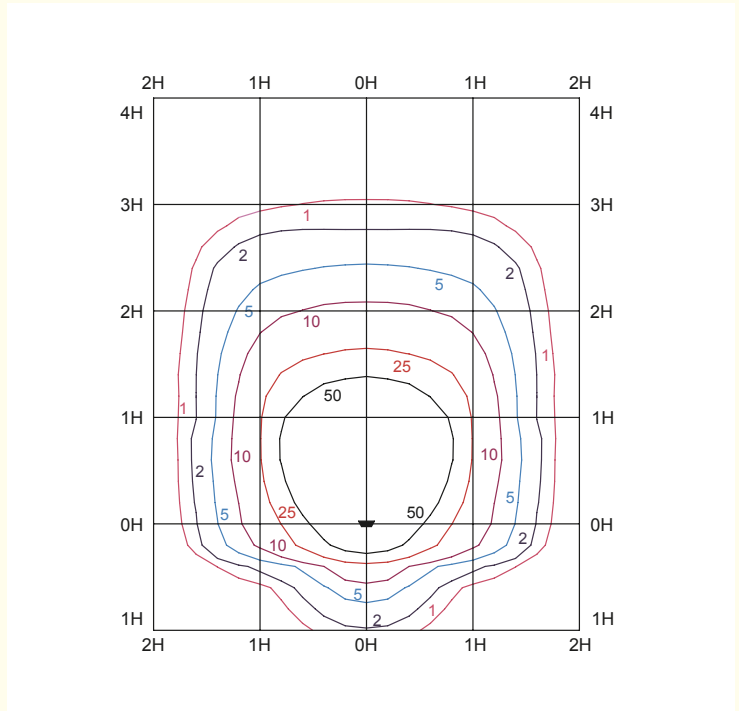
PHOTOMETRY: NORMAL TO GLASS  
 I-MAX: 559.6 CD/KLM  
 (+ 40° NORMAL TO GLASS)  
 BEAM ANGLE: (50% I-MAX) 63.4H X 40.2V  
 FIELD ANGLE: (10% I-MAX) 95.8H X 89.2 V  
 NEMA CLASS: H5 X V5  
 BEAM TYPE: MEDIUM WIDE

EL1W150MH MOUNTED AT 4 METERS  
 AIMING ANGLE 0°  
 LAMP LUMENS 13000  
 LLF 0.8

H = MOUNTING HEIGHT

### Multiplying factor for change of mounting height

4m Height	Multiplier
3	1.78
4	1.00
5	0.64
6	0.44



**MALAYSIA** KUALA LUMPUR Sales Office: Tel:(03) 5636 4348 Fax:(03) 5636 4352 **PENANG** Sales Office: Tel:(04) 507 0580

Fax:(04) 507 0968 **SINGAPORE** Sales Office: Tel: 6745 2511 Fax: 6745 5828 **AUSTRALIA** Sales ENQUIRIES ALL STATES:

Tel: 1300 851 001 **NEW ZEALAND** AUCKLAND Sales Office (09) 2710204 Fax: (09) 2713144

**Distributors in:** Pacific Islands, New Zealand, United Kingdom, Vietnam, Thailand, Indonesia, Bangladesh, Sri Lanka

Lighting designs on request  
 IES files on request or available on Davis website

Website: [www.davislighting.com](http://www.davislighting.com)

Email: [sales@davislighting.com](mailto:sales@davislighting.com)

Davis Lighting is a registered trade name

Davis Lighting reserves the right to change specifications and materials without prior notice.  
 Materials and components may vary from region to region.



*"When your  
 business  
 depends  
 on light."*