

ELTANIN 2 ASYMMETRICAL FLOODLIGHT



FEATURES

- Die cast aluminium construction
- Powder coated black finish
- Weatherproof IP65
- E39 lamp holder
- Stainless steel screws
- Asymmetrical distribution for control of glare & obtrusive light
- Peened aluminium reflector for wide beam applications & specular aluminium reflector for narrow beam applications
- One piece silicon gasket
- Powder coated steel trunnion arm mounting bracket
- Tempered glass in hinged frame
- Fitted with 20mm compression gland for cable entry
- Integral or remote control gear
- Available with blocking inductor

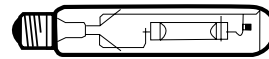
APPLICATION

The Eltanin 2 floodlight features an asymmetrical reflector system & is suitable for many applications, including, car parks, shopping centres, security, tennis courts for recreational use, car yards, and many architectural applications. The asymmetrical reflector makes it particularly suitable for areas where the control of spill lighting & glare is important.

Model No.	Beam	Type
EL2N250MHx	Narrow	Metal Halide
EL2W250MHx	Wide	Metal Halide
EL2N400MHx	Narrow	Metal Halide
EL2W400MHx	Wide	Metal Halide
EL2N150Sx	Narrow	HPS
EL2W150Sx	Wide	HPS
EL2N250Sx	Narrow	HPS
EL2W250Sx	Wide	HPS
EL2N400Sx	Narrow	HPS
EL2W400Sx	Wide	HPS

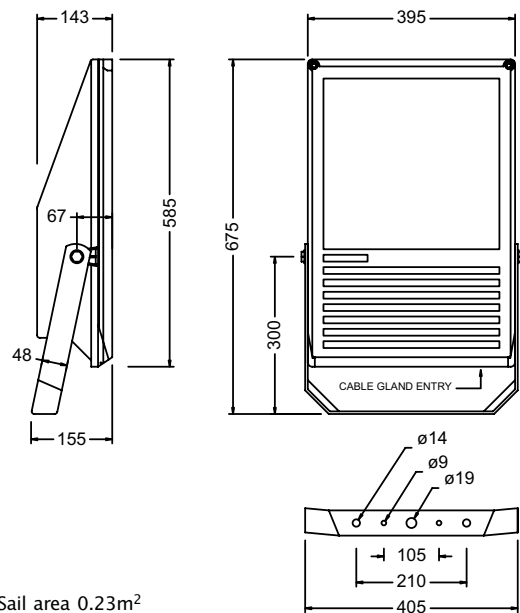
Lamp type

E39/E40 base



Clear tubular

DIMENSIONS



Sail area 0.23m²

Packaging

Floodlight carton size: 625 x 455 x 170mm
Floodlight weight: 14.8 Kg (maximum)

x designates optional configuration

RC	For remote control (no control gear)
IGRC	For remote control (no control gear) fitted with igniter
NL	No lamp
BE	Blocking inductor
For remote control see general catalogue section Q	

ELTANIN 2 ASYMMETRICAL FLOODLIGHT



Manufactured to standards – IEC60598.1
IEC60598.2.5
CISPR 15



“When your
business
depends
on light.”

ELTANIN 2 ASYMMETRICAL FLOODLIGHT

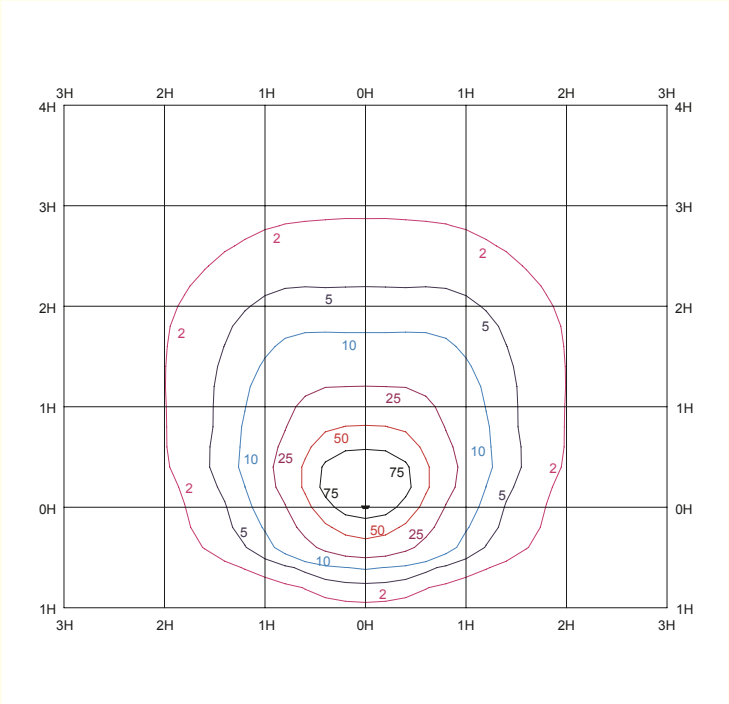
400W METAL HALIDE CLEAR TUBULAR

PHOTOMETRY: NORMAL TO GLASS
 I-MAX: 306.9 CD/KLM
 (+ 17.5° NORMAL TO GLASS)
 BEAM ANGLE: (50% I-MAX) 86.3H X 85.6V
 FIELD ANGLE: (10% I-MAX) 134.7H X 113.3 V
 NEMA CLASS: H7 X V6
 BEAM TYPE: WIDE

EL2W400MH MOUNTED AT 8 METERS
 AIMING ANGLE 0°
 LAMP LUMENS 32000
 LLF 0.8

H = MOUNTING HEIGHT

Multiplying factor for change of mounting height	
8m Height	Multiplier
7	1.31
8	1.00
9	0.79
10	0.64



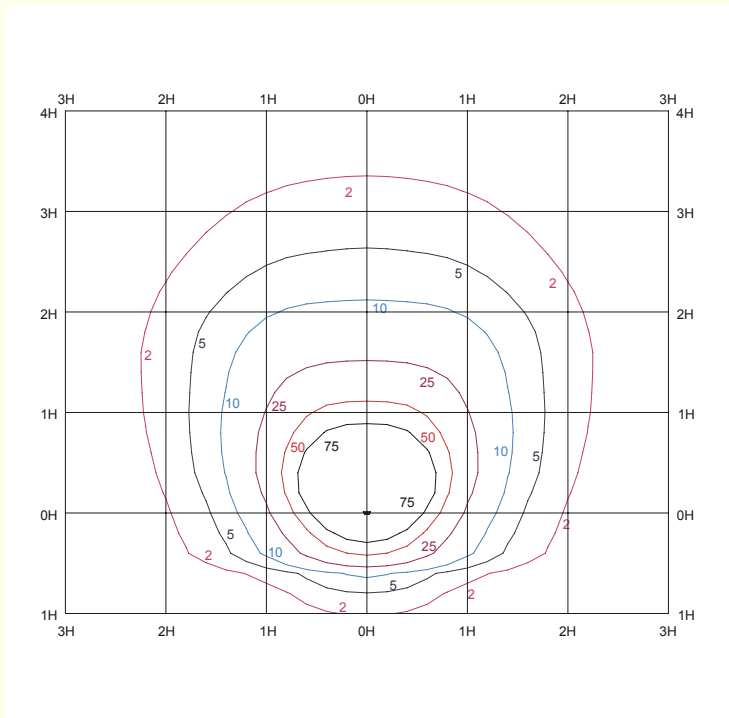
400W HPS CLEAR TUBULAR

PHOTOMETRY: NORMAL TO GLASS
 I-MAX: 341.9 CD/KLM
 (+ 22.5° NORMAL TO GLASS)
 BEAM ANGLE: (50% I-MAX) 85.7H X 81.3V
 FIELD ANGLE: (10% I-MAX) 129.6H X 109.5V
 NEMA CLASS: H6 X V6
 BEAM TYPE: MEDIUM WIDE

EL2W400S MOUNTED AT 8 METERS
 AIMING ANGLE 0°
 LAMP LUMENS 48000
 LLF 0.8

H = MOUNTING HEIGHT

Multiplying factor for change of mounting height	
8m Height	Multiplier
7	1.31
8	1.00
9	0.79
10	0.64



MALAYSIA KUALA LUMPUR Sales Office: Tel:(03) 5636 4348 Fax:(03) 5636 4352 **PENANG** Sales Office: Tel:(04) 507 0580

Fax:(04) 507 0968 **SINGAPORE** Sales Office: Tel: 6745 2511 Fax: 6745 5828 **AUSTRALIA** Sales ENQUIRIES ALL STATES:

Tel: 1300 851 001 **NEW ZEALAND** AUCKLAND Sales Office (09) 2710204 Fax: (09) 2713144

Distributors in: Pacific Islands, New Zealand, United Kingdom, Vietnam, Thailand, Indonesia, Bangladesh, Sri Lanka

Lighting designs on request
 IES files on request or available on Davis website

Website: www.davislighting.com

Email: sales@davislighting.com

Davis Lighting is a registered trade name

Davis Lighting reserves the right to change specifications and materials without prior notice.
 Materials and components may vary from region to region.



*“When your
 business
 depends
 on light.”*