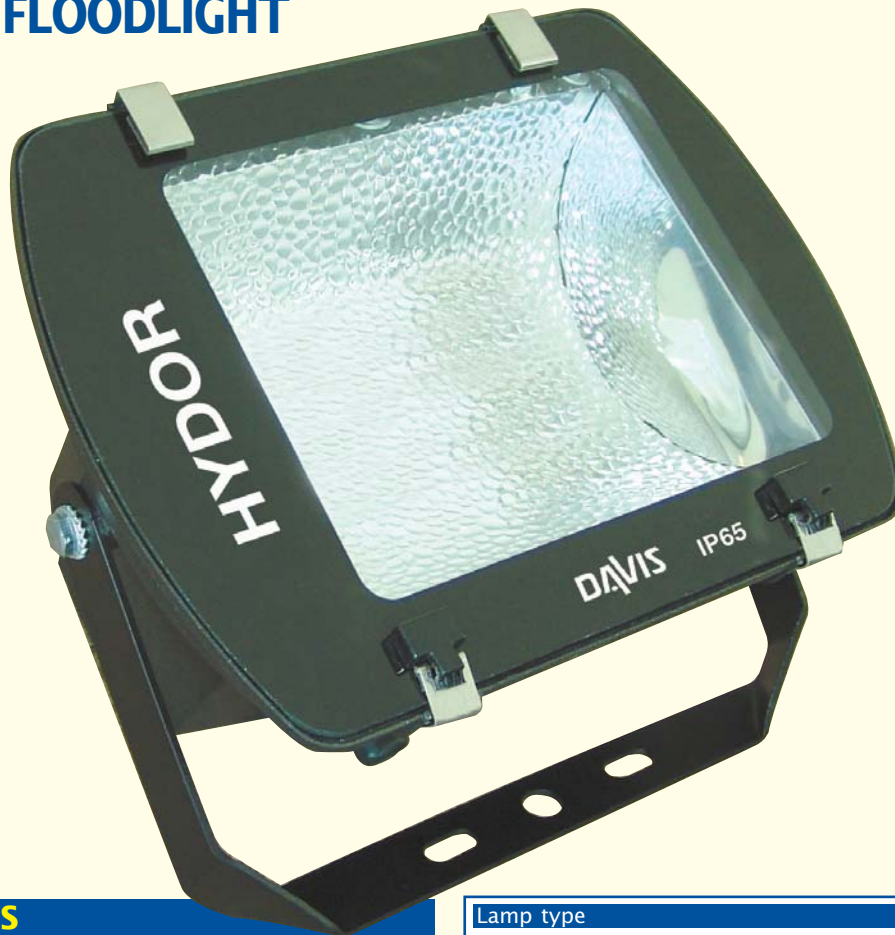


HYDOR FLOODLIGHT



FEATURES

- Die cast aluminium body & gear box cover.
- Peened aluminium reflector with specular end plates
- Weatherproof IP65
- HID models - E27 ceramic lamp holder
- Compact Fluorescent models - G24d lamp holders
- Stainless steel screws & lens retaining clips
- One piece silicon gaskets
- Powder coated steel trunnion arm mounting bracket
- Frameless hinged tempered glass lens
- Powder coated black finish
- Fitted with 20mm compression gland for cable entry
- Not available with blocking inductor
- Integral tray mounted control gear

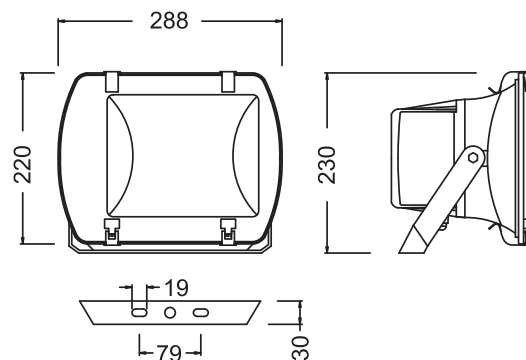
APPLICATION

- Security ▪ Architectural ▪ Landscape

Model No.	Watts	Type	Lamp
HID			
HY80MV	80w	Mercury Vapour	1
HY70MH	70w	Metal Halide	2
HY100MH	100w	Metal Halide	2
HY150MH	150w	Metal Halide	2
HY70S	70w	HPS	2,3
COMPACT FLUORESCENT			
HY118PL	1x18w	(TC-D)	4
HY218PL	2x18w	(TC-D)	4
HY126PL	1x26w	(TC-D)	4
HY226PL	2x26w	(TC-D)	4

Lamp type			
E27 base		G24d2 base 18w	G24d3 base 26w
1	2	3	4
Coated Elliptical	Clear Elliptical	Clear Tubular	TC-D

DIMENSIONS



Centre fixing hole
13.5mm DIA
Centre fixing holes
9.5mm DIA

Sail area 0.057m²

Packaging

Floodlight carton size: 320x230x210mm
Outer carton size: 460x330x435mm
Quantity per outer: 4
Floodlight weight: 5Kg (maximum)

HYDOR FLOODLIGHT



Manufactured to standards – IEC60598.1
IEC60598.2.5
CISPR 15



“When your
business
depends
on light.”

HYDOR FLOODLIGHT

70W HPS CLEAR ELLIPTICAL

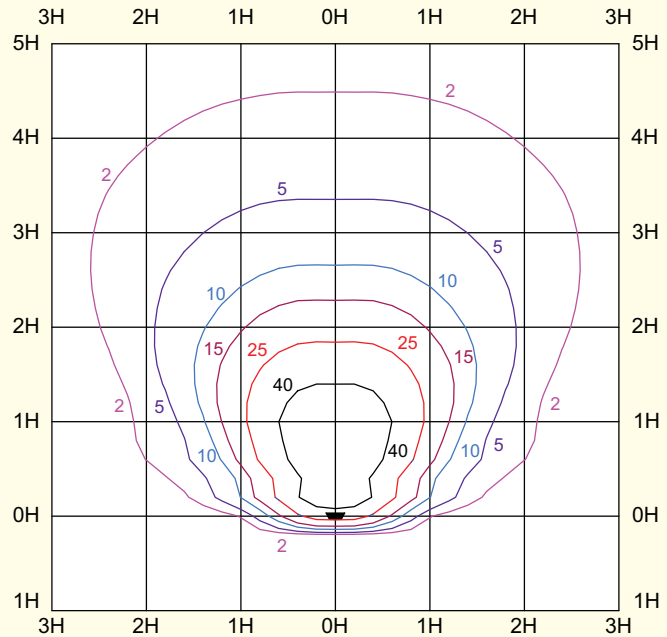
PHOTOMETRY: NORMAL TO GLASS
 I-MAX: 474.4 CD/KLM (Normal To Glass)
 BEAM ANGLE: (50% I-MAX) 81.9H X 55V
 FIELD ANGLE: (10% I-MAX) 121.7H X 134.3V
 NEMA CLASS: H6 X V7
 BEAM TYPE: WIDE

HY70S MOUNTED AT 3 METERS
 AIMING ANGLE 65°
 LAMP LUMENS 5900
 LLF 0.8

H = MOUNTING HEIGHT

Multiplying factor for change of mounting height

3m Height	Multiplier
2	2.25
3	1.00
4	0.56
5	0.36



150W MH CLEAR ELLIPTICAL

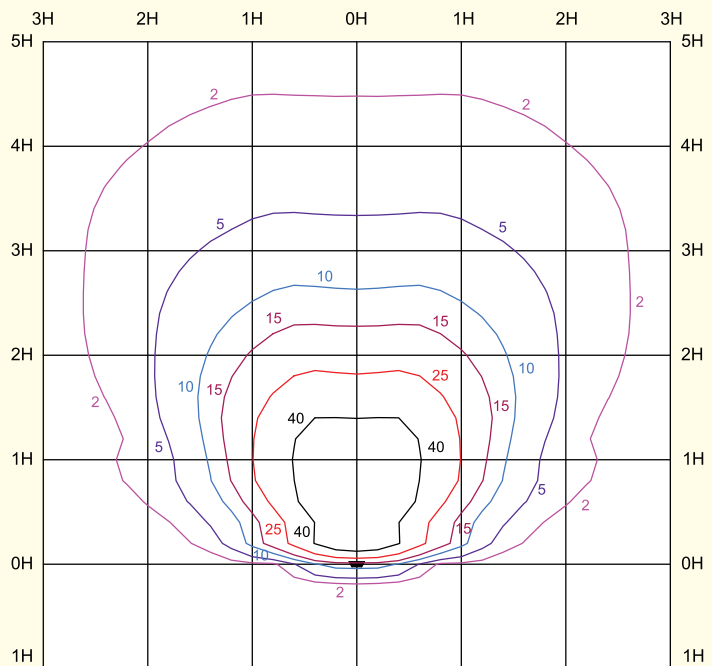
PHOTOMETRY: NORMAL TO GLASS
 I-MAX: 434.8 CD/KLM (Normal To Glass)
 BEAM ANGLE: (50% I-MAX) 83.6H X 55.7V
 FIELD ANGLE: (10% I-MAX) 116.2H X 127.2V
 NEMA CLASS: H6 X V6
 BEAM TYPE: WIDE

HY150MH MOUNTED AT 4 METERS
 AIMING ANGLE 65°
 LAMP LUMENS 14000
 LLF 0.8

H = MOUNTING HEIGHT

Multiplying factor for change of mounting height

4m Height	Multiplier
3	1.78
4	1.00
5	0.64
6	0.44



AUSTRALIA ALL STATES Tel: 1300851001 **INDONESIA JAKARTA** Tel: +62 (21) 6904933 Fax: +62 (21) 6906987

MALAYSIA KUALA LUMPUR Tel: +60 (3) 5634348 Fax: +60 (3) 5634352 **PENANG** Tel: +60 (4) 5070580

Fax: +60 (4) 5070968 **SINGAPORE** Tel: +65 6742511 Fax: +65 6745828 **SOUTH PACIFIC ISLANDS**

BRISBANE Tel: +61 (7) 38211315 Fax: +61 (7) 38211315 **THAILAND BANGKOK** Tel: +66 (2) 3825129

Fax: +66 (2) 3825128 **VIETNAM HOCHIMINH CITY** Tel: +84 8655011 Fax: +84 8622855

Distributors in: Bangladesh, Brunie, Fiji, Papua New Guinea, Sri Lanka

Lighting designs on request
 IES files on request or available on Davis website

Website: www.davislighting.com

Email: sales@davislighting.com

Davis Lighting is a registered trade name

Davis Lighting reserves the right to change specifications and materials without prior notice.
 Materials and components may vary from region to region.



*"When your
 business
 depends
 on light."*