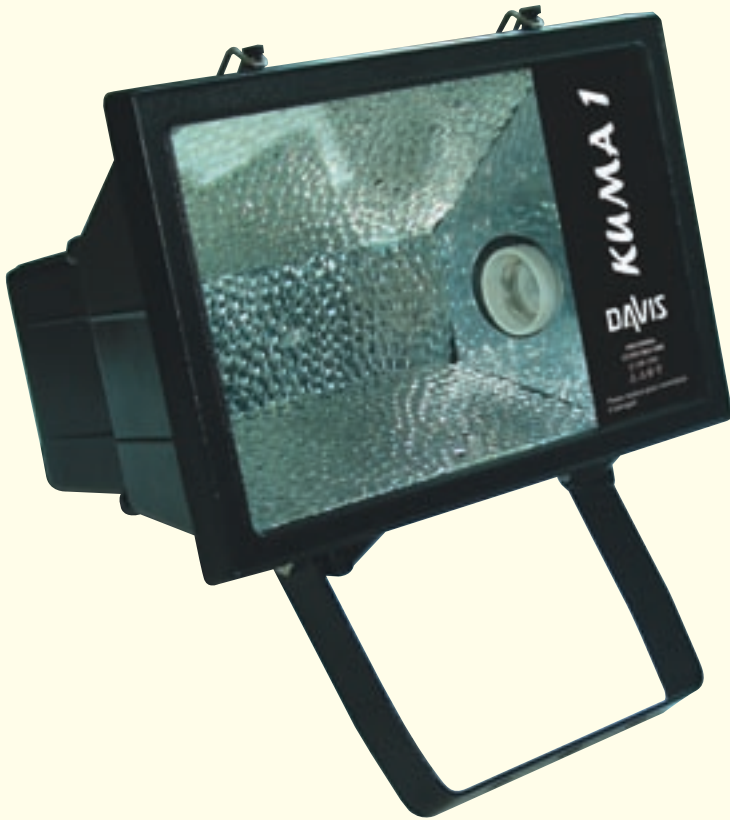


KUMA 1 FLOODLIGHT



FEATURES

- Die cast aluminium body & gear box cover.
- Peened aluminium reflector for wide beam & specular aluminium reflector for narrow beam applications
- Weatherproof IP65
- E27 ceramic lamp holder
- Stainless steel screws
- One piece silicon gaskets
- Powder coated steel trunnion arm mounting bracket
- Tempered glass in hinged aluminium frame
- Powder coated black finish
- Fitted with 20mm compression gland for cable entry
- Available with blocking inductor
- Integral or remote gear

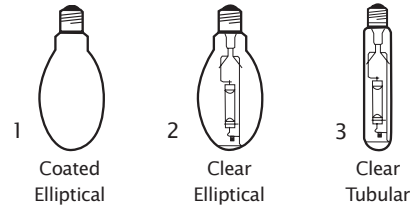
APPLICATION

- Security
- Small signs
- Architectural
- Small area
- Building facades

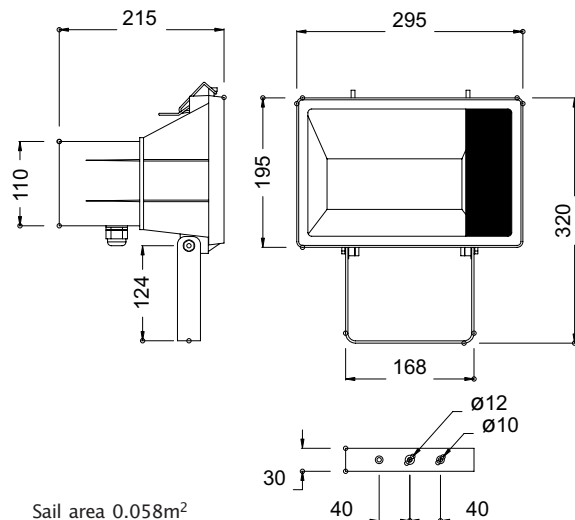
Model No.	Beam	Type	Lamp
KU1N70MH	Narrow	Metal Halide	2,3
KU1W70MH	Wide	Metal Halide	2,3
KU1N100MH	Narrow	Metal Halide	2,3
KU1W100MH	Wide	Metal Halide	2,3
KU1N150MH	Narrow	Metal Halide	2,3
KU1W150MH	Wide	Metal Halide	2,3
KU1N70S	Narrow	HPS	2,3
KU1W70S	Wide	HPS	2,3
KU1W80MV	Wide	Mercury Vapour	1
KU1W125MV	Wide	Mercury Vapour	1

Lamp type

E27 base



DIMENSIONS



Packaging

Floodlight carton size: 300x230x225mm
 Outer carton size: 620x250x460mm
 Quantity per outer: 4
 Floodlight weight: 5.5Kg (maximum)

KUMA 1 FLOODLIGHT



Manufactured to standards – IEC60598.1
 IEC60598.2.5
 CISPR 15



“When your
 business
 depends
 on light.”

KUMA 1 FLOODLIGHT

70W MH CLEAR ELLIPTICAL

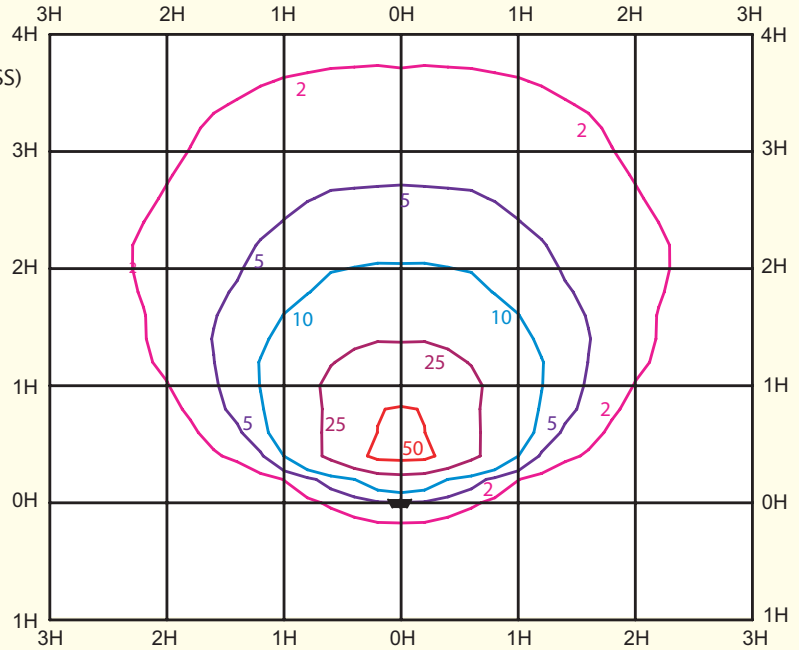
PHOTOMETRY: NORMAL TO GLASS
 I-MAX: 296.6 CD/KLM (NORMAL TO GLASS)
 BEAM ANGLE: (50% I-MAX) 84.4H X 102.6V
 FIELD ANGLE: (10% I-MAX) 133.6H X 120.0V
 NEMA CLASS: H7 X V6
 BEAM TYPE: WIDE

KU1W70MH MOUNTED AT 3 METERS
 AIMING ANGLE 65°
 LAMP LUMENS 5600
 LLF 0.8

H = MOUNTING HEIGHT

Multiplying factor for change of mounting height

3m Height	Multiplier
2	2.25
3	1.00
4	0.56
5	0.36



150W MH CLEAR ELLIPTICAL

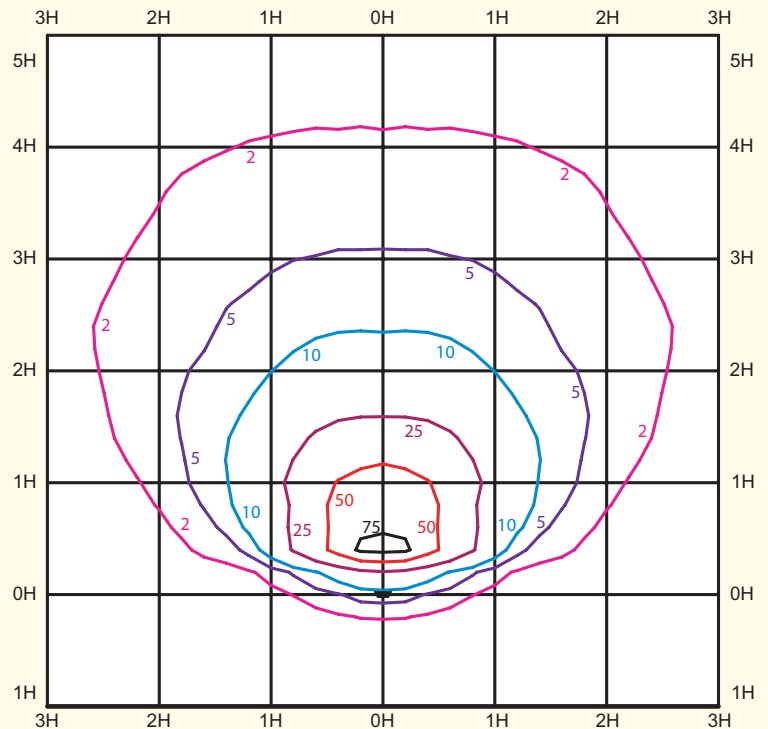
PHOTOMETRY: NORMAL TO GLASS
 I-MAX: 296.6 CD/KLM (NORMAL TO GLASS)
 BEAM ANGLE: (50% I-MAX) 84.4H X 102.6V
 FIELD ANGLE: (10% I-MAX) 133.6H X 120.0V
 NEMA CLASS: H7 X V6
 BEAM TYPE: WIDE

KU1W150MH MOUNTED AT 4 METERS
 AIMING ANGLE 65°
 LAMP LUMENS 14000
 LLF 0.8

H = MOUNTING HEIGHT

Multiplying factor for change of mounting height

4m Height	Multiplier
3	1.78
4	1.00
5	0.64
6	0.44



MALAYSIA KUALA LUMPUR Sales Office: Tel:(03) 5636 4348 Fax:(03) 5636 4352 PENANG Sales Office: Tel:(04) 507 0580

Fax:(04) 507 0968 **SINGAPORE** Sales Office: Tel: 6745 2511 Fax: 6745 5828 **AUSTRALIA** Sales ENQUIRIES ALL STATES:

Tel: 1300 851 001 **NEW ZEALAND** AUCKLAND Sales Office (09) 2710204 Fax: (09) 2713144

Distributors in: Pacific Islands, New Zealand, United Kingdom, Vietnam, Thailand, Indonesia, Bangladesh, Sri Lanka

Lighting designs on request
 IES files on request or available on Davis website

Website: www.davislighting.com

Email: sales@davislighting.com

Davis Lighting is a registered trade name

Davis Lighting reserves the right to change specifications and materials without prior notice.
 Materials and components may vary from region to region.



*"When your
 business
 depends
 on light."*