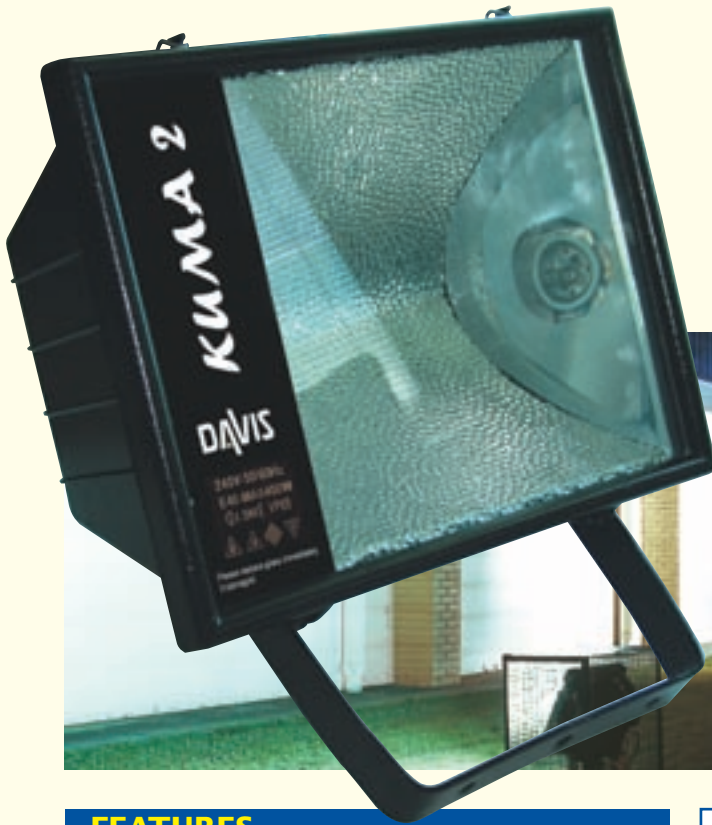


KUMA 2 FLOODLIGHT



FEATURES

- Die cast aluminium body & gear box cover.
- Peened aluminium reflector for wide beam & specular aluminium reflector for narrow beam applications.
- Weatherproof IP65
- E39 ceramic lamp holder.
- Stainless steel screws.
- One piece silicon gaskets.
- Powder coated steel trunnion arm mounting bracket.
- Tempered glass in hinged aluminium frame.
- Powder coated black finish.
- Fitted with 20mm compression gland for cable entry.
- Available with blocking inductor.
- Integral or remote gear.

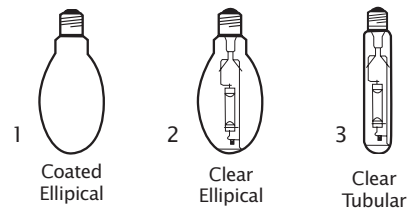
APPLICATION

- Security ▪ Parks ▪ Signs ▪ Architectural ▪ Small/medium areas ▪ Building facades ▪ Tennis courts for recreational use ▪ Sports applications ▪ Display areas ▪ Car yards

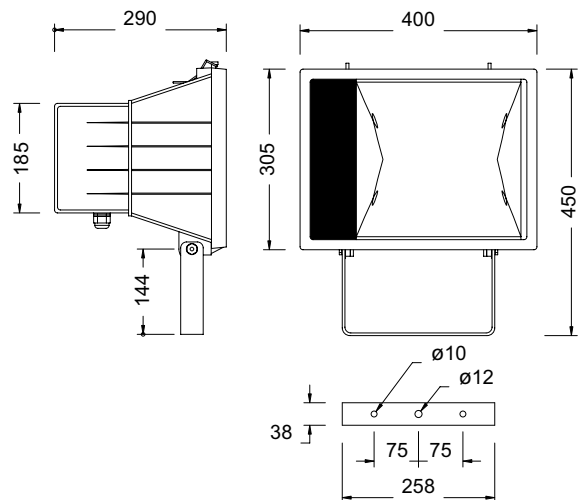
Model No.	Beam	Type	Lamp
KU2N250MH	Narrow	Metal Halide	2,3
KU2W250MH	Wide	Metal Halide	2,3
KU2N400MH	Narrow	Metal Halide	3
KU2W400MH	Wide	Metal Halide	3
KU2N150S	Narrow	HPS	2,3
KU2W150S	Wide	HPS	2,3
KU2N250S	Narrow	HPS	2,3
KU2W250S	Wide	HPS	2,3
KU2W400S	Wide	HPS	3
KU2W400S	Wide	HPS	3
KU2W250MV	Wide	Mercury Vapour	1

Lamp type

E39/E40 base



DIMENSIONS



Sail area 0.122m²

Packaging

Floodlight carton size: 410x330x290mm
Floodlight weight: 11.5Kg (maximum)

KUMA 2 FLOODLIGHT



Manufactured to standards – IEC60598.1
IEC60598.2.5
CISPR 15



“When your business depends on light.”

KUMA 2 FLOODLIGHT

250W MH CLEAR TUBULAR

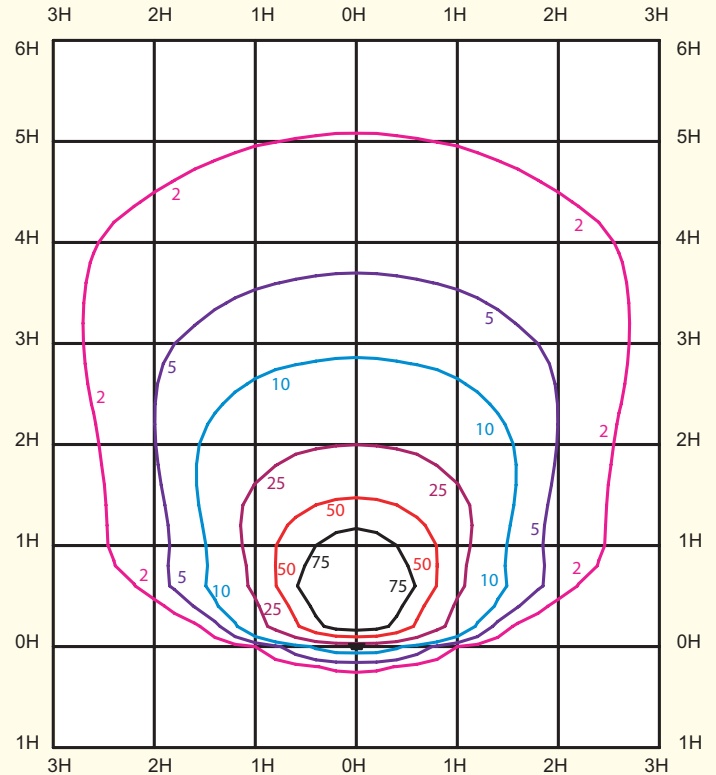
PHOTOMETRY: NORMAL TO GLASS
 I-MAX: 462.4 CD/KLM (NORMAL TO GLASS)
 BEAM ANGLE: (50% I-MAX) 80.6H X 81.8V
 FIELD ANGLE: (10% I-MAX) 127.3H X 125.5V
 NEMA CLASS: H6 X V6
 BEAM TYPE: WIDE

KU2W250MH MOUNTED AT 5 METERS
 AIMING ANGLE 65°
 LAMP LUMENS 19000
 LLF 0.8

H = MOUNTING HEIGHT

Multiplying factor for change of mounting height

5m Height	Multiplier
4	1.56
5	1.00
6	0.69
7	0.51
8	0.39



400W MH CLEAR TUBULAR

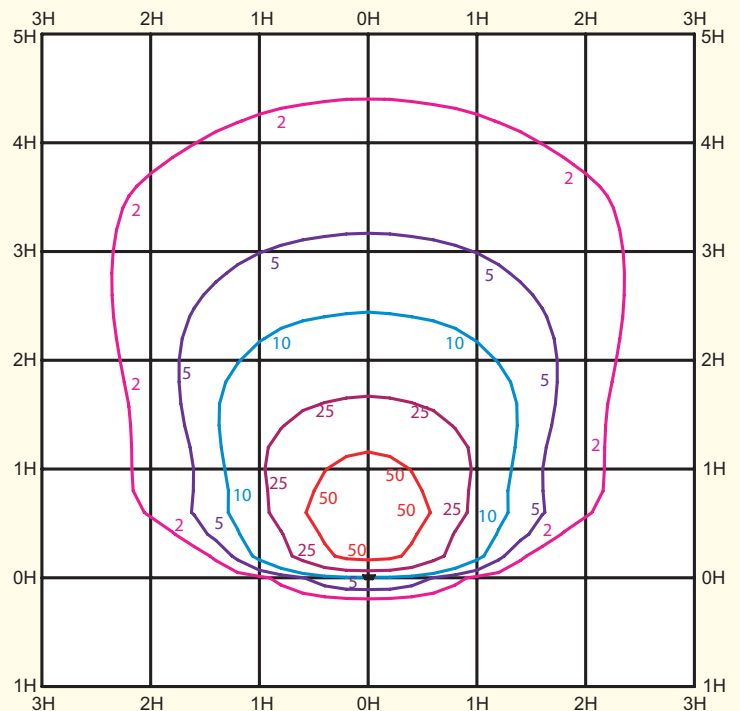
PHOTOMETRY: NORMAL TO GLASS
 I-MAX: 462.4 CD/KLM (NORMAL TO GLASS)
 BEAM ANGLE: (50% I-MAX) 80.6H X 81.8V
 FIELD ANGLE: (10% I-MAX) 127.3H X 125.5V
 NEMA CLASS: H6 X V6
 BEAM TYPE: WIDE

KU2W400MH MOUNTED AT 8 METERS
 AIMING ANGLE 65°
 LAMP LUMENS 32000
 LLF 0.8

H = MOUNTING HEIGHT

Multiplying factor for change of mounting height

8m Height	Multiplier
7	1.31
8	1.00
9	0.79
10	0.64
11	0.53



MALAYSIA KUALA LUMPUR Sales Office: Tel:(03) 5636 4348 Fax:(03) 5636 4352 **PENANG** Sales Office: Tel:(04) 5070580

Fax:(04) 5070968 **SINGAPORE** Sales Office: Tel: 6745 2511 Fax: 6745 5828 **AUSTRALIA** Sales ENQUIRIES ALL STATES:

Tel: 1300 851 001 **NEW ZEALAND** AUCKLAND Sales Office (09) 2710204 Fax: (09) 2713144

Distributors in: Pacific Islands, New Zealand, United Kingdom, Vietnam, Thailand, Indonesia, Bangladesh, Sri Lanka

Lighting designs on request
 IES files on request or available on Davis website

Website: www.davislighting.com

Email: sales@davislighting.com

Davis Lighting is a registered trade name

Davis Lighting reserves the right to change specifications and materials without prior notice.
 Materials and components may vary from region to region.



"When your
 business
 depends
 on light."