

PROJECT BATTEN

LPB136



FEATURES

- Wide bodied design covers J-Box.
- Durable steel construction.
- 25mm preformed cable entry not requiring grommets and offering improved cable access.
- Large terminal blocks for fast and easy cable connection.
- Fully epoxy coated in white both inside and out, providing unprecedented protection and the highest quality finish.
- Replaceable polycarbonate tombstone lamp holders.
- Full range of reflectors, wire guards and a square diffuser kit.
- End to end continuous mounting from preformed punch out. No special tools or end cap drilling required.
- Available in wiring configuration to suit local market requirements.

APPLICATION

This multi-purpose luminaire is suitable for domestic and most commercial and industrial applications, providing optimum lighting levels at the lowest cost.

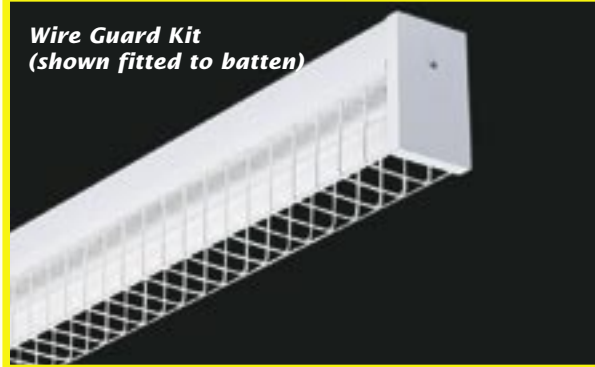
This model is ideal for highrise or underground parking facilities, where extra width is required to cover J-Boxes in concrete slab ceilings.

Able to be surface mounted, conduit or chain suspended, this is a truly versatile and functional design.

The Davis Project Batten has been designed to operate the 26mm high efficiency fluorescent tube, but will also accept the 38mm tube. Form and function have been combined to produce a batten that is not only visually pleasing, but also offers easy installation, maintenance and tube replacement.

ACCESSORIES

*Wire Guard Kit
(shown fitted to batten)*

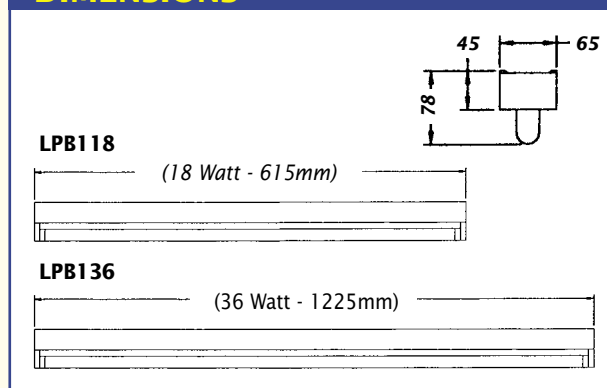


OPTIONS

Also available:

- Reflectors
- Square Diffuser Kits
- Emergency Modules
- Electronic & Low Loss Ballasts
- Dimming Gear
- Special Wiring
- Fused Terminal Blocks

DIMENSIONS

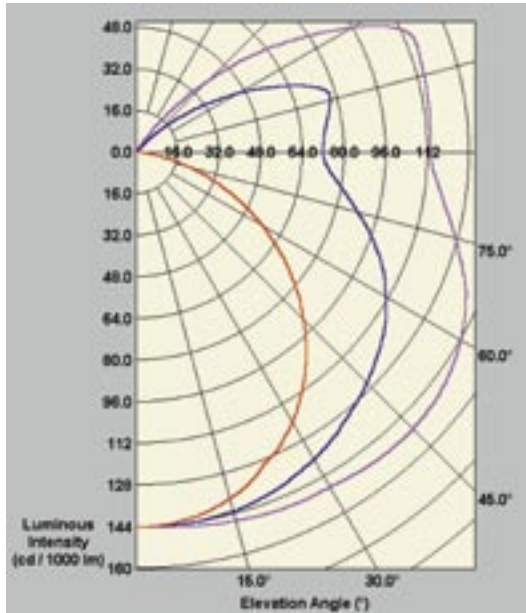


Manufactured to standards – EN60598.1
 EN60598.2.1
 EN60598.2.2
 EN55015 (AS/NZS 4051)
 EMC Compliant Supplier Code N1562 (Aust)



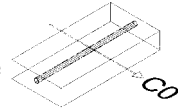
“When your business depends on light.”

POLAR CURVE Luminous intensity (cd / 1000 lm)



C0 Plane
C45 Plane
C90 Plane

CIE Aiming Convention
CO Plane across the tube



γ GAMMA	C0	C22.5	C45	C67.5	C90
0°	144.0	144.0	144.0	144.0	144.0
5°	145.0	144.0	144.0	144.0	143.0
10°	145.0	145.0	144.0	142.0	141.0
15°	146.0	146.0	143.0	140.0	138.0
20°	148.0	146.0	141.0	137.0	133.0
25°	148.0	146.0	139.0	132.0	127.0
30°	148.0	146.0	136.0	126.0	120.0
35°	150.0	145.0	133.0	120.0	111.0
40°	150.0	145.0	129.0	113.0	102.0
45°	150.0	145.0	125.0	105.0	91.0
50°	149.0	143.0	121.0	96.0	80.0
55°	147.0	140.0	117.0	88.0	68.0
60°	144.0	137.0	111.0	79.0	56.0
65°	140.0	132.0	104.0	71.0	44.0
70°	134.0	125.0	97.0	62.0	32.0
75°	127.0	118.0	88.0	52.0	21.0
80°	120.0	111.0	80.0	41.0	10.0
85°	115.0	105.0	74.0	33.0	3.2
90°	113.0	102.0	72.0	30.0	0.0
95°	113.0	103.0	72.0	32.0	0.0
100°	114.0	104.0	75.0	34.0	0.0
105°	114.0	105.0	77.0	26.0	0.0
110°	115.0	106.0	73.0	17.0	0.0
115°	113.0	100.0	60.0	8.6	0.0
120°	96.0	83.0	46.0	1.4	0.0
125°	76.0	66.0	31.0	0.0	0.0
130°	57.0	48.0	18.0	0.0	0.0
135°	38.0	30.0	5.8	0.0	0.0
140°	21.0	14.0	0.2	0.0	0.0
145°	5.6	1.4	0.0	0.0	0.0
150°	0.4	0.0	0.0	0.0	0.0
155°	0.0	0.0	0.0	0.0	0.0
160°	0.0	0.0	0.0	0.0	0.0
165°	0.0	0.0	0.0	0.0	0.0
170°	0.0	0.0	0.0	0.0	0.0
175°	0.0	0.0	0.0	0.0	0.0
180°	0.0	0.0	0.0	0.0	0.0

γ Gamma	C0	C45	C90
45°	3400	3300	4030
55°	3390	3210	3700
65°	3370	3110	3160
75°	3320	2950	2370
85°	3410	2940	943

Luminance in cd/m²/1000lms

LOR: 89.9%			SHR NOM: 1.75 : 1.0				SHR MAX: 1.75 : 1.0				
Reflectance			Room Index (K)								
Ceiling	Walls	Floor	0.75	1.00	1.25	1.50	2.00	2.50	3.00	4.00	5.00
0.70	0.50	0.20	N/A	0.49	0.54	0.59	0.65	0.70	0.73	0.77	0.80
0.70	0.30	0.20	N/A	0.41	0.47	0.52	0.59	0.64	0.67	0.73	0.76
0.70	0.10	0.20	N/A	0.36	0.42	0.46	0.53	0.59	0.63	0.68	0.72
0.50	0.50	0.20	N/A	0.44	0.49	0.53	0.59	0.63	0.65	0.69	0.72
0.50	0.30	0.20	N/A	0.38	0.43	0.47	0.53	0.58	0.61	0.66	0.69
0.50	0.10	0.20	N/A	0.33	0.39	0.43	0.49	0.54	0.57	0.62	0.66
0.30	0.50	0.20	N/A	0.40	0.44	0.48	0.53	0.56	0.59	0.62	0.64
0.30	0.30	0.20	N/A	0.35	0.39	0.43	0.48	0.52	0.55	0.59	0.62
0.30	0.10	0.20	N/A	0.31	0.35	0.39	0.45	0.49	0.52	0.56	0.59
0.00	0.00	0.00	N/A	0.26	0.30	0.33	0.38	0.41	0.44	0.47	0.50
Distribution Factors	Floor:	N/A	0.26	0.30	0.33	0.38	0.41	0.44	0.47	0.50	
	Walls:	N/A	0.40	0.36	0.33	0.28	0.25	0.22	0.19	0.16	
	Ceiling:	N/A	0.24	0.24	0.24	0.24	0.24	0.24	0.24	0.24	0.24
Bz Numbers		N/A	6	6	6	6	6	6	6	6	6

Photometric data also applies to 18 Watt model

MALAYSIA KUALA LUMPUR Sales Office: Tel:(03) 5636 4348 Fax:(03) 5636 4352 **PENANG** Sales Office: Tel:(04) 507 0580 Fax:(04) 507 0968 **SINGAPORE** Sales Office: Tel: 6745 2511 Fax: 6745 5828 **AUSTRALIA** Sales ENQUIRIES ALL STATES: Tel: 1300 851 001 **NEW ZEALAND** AUCKLAND Sales Office (09) 2710204 Fax: (09) 2713144

Distributors in: Pacific Islands, New Zealand, United Kingdom, Vietnam, Thailand, Indonesia, Bangladesh, Sri Lanka

Lighting designs on request
IES files on request or available on Davis website
Website: www.davislighting.com
Email: sales@davislighting.com

Davis Lighting is a registered trade name
Davis Lighting reserves the right to change specifications and materials without prior notice. Materials and components may vary from region to region.



"When your business depends on light."