

# PROJECT SQUARE DIFFUSED BATTEN

# PROJECT SQUARE DIFFUSED BATTEN

## LPBS236



### FEATURES

- Wide bodied design covers J-Box.
- Durable steel construction.
- 25mm preformed cable entry not requiring grommets and offering improved cable access.
- Large terminal blocks for fast and easy cable connection.
- Fully epoxy coated in white both inside and out, providing unprecedented protection and the highest quality finish.
- Replaceable polycarbonate tombstone lamp holders securely held in metal powdercoated end cap assemblies.
- Available in wiring configuration to suit local market requirements.
- Acrylic diffusers in a range of patterns.

### APPLICATION

This multi-purpose luminaire is suitable for domestic and most commercial and industrial applications, providing optimum lighting levels at the lowest cost.

This model is ideal for highrise or underground parking facilities, where extra width is required to cover J-Boxes in concrete slab ceilings.

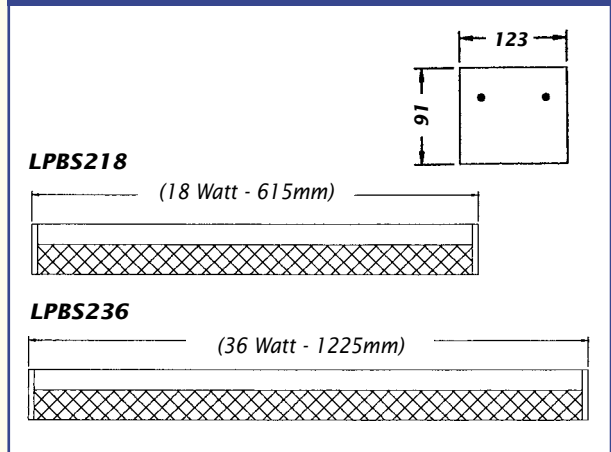
Able to be surface mounted, conduit or chain suspended, this is a truly versatile and functional design.

The Davis Project Batten has been designed to operate the 26mm high efficiency fluorescent tube, but will also accept the 38mm tube. Form and function have been combined to produce a batten that is not only visually pleasing, but also offers easy installation, maintenance and tube replacement.

### OPTIONS

- (All available on request)
- Emergency Modules
  - Electronic & Low Loss Ballasts
  - Dimming Gear
  - Special Wiring
  - Fused Terminal Blocks

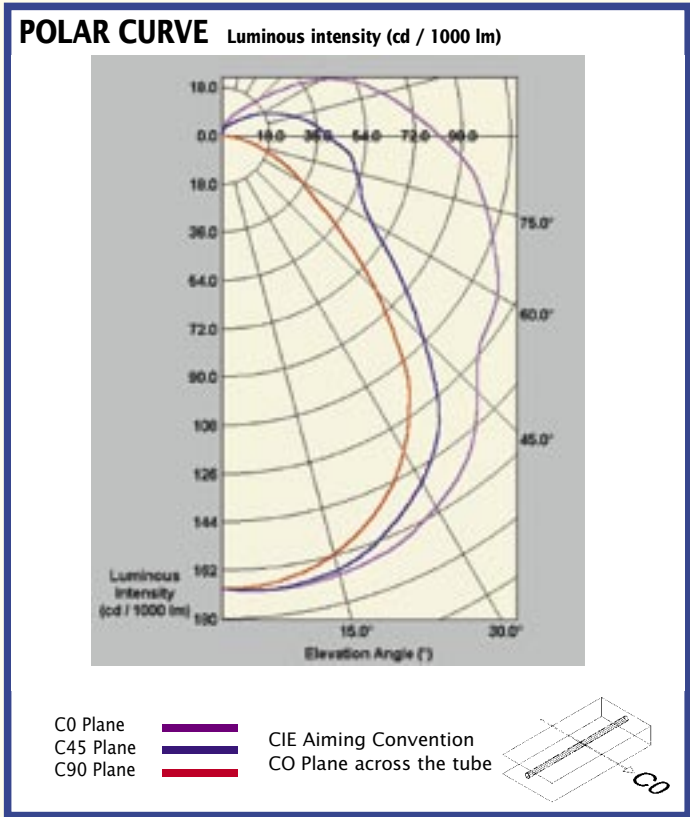
### DIMENSIONS



Manufactured to standards –EN60598.1  
EN60598.2.1  
EN60598.2.2  
EN55015 (AS/NZS 4051)  
EMC Compliant Supplier Code N1562 (Aust)



“When your business depends on light.”



LUMINOUS INTENSITY TABLE (CD/1000LMS)

γ GAMMA	C0	C22.5	C45	C67.5	C90
0°	169.0	169.0	169.0	169.0	169.0
5°	170.0	170.0	170.0	169.0	168.0
10°	170.0	170.0	169.0	168.0	166.0
15°	169.0	169.0	167.0	165.0	161.0
20°	167.0	167.0	163.0	159.0	155.0
25°	165.0	162.0	157.0	152.0	147.0
30°	160.0	158.0	149.0	143.0	136.0
35°	154.0	152.0	140.0	131.0	122.0
40°	147.0	142.0	125.0	115.0	103.0
45°	135.0	129.0	106.0	92.0	82.0
50°	125.0	117.0	90.0	72.0	62.0
55°	122.0	111.0	76.0	53.0	45.0
60°	119.0	104.0	65.0	39.0	35.0
65°	113.0	98.0	58.0	30.0	27.0
70°	107.0	94.0	55.0	25.0	20.0
75°	102.0	91.0	52.0	23.0	14.0
80°	97.0	87.0	50.0	21.0	8.5
85°	90.0	82.0	45.0	17.0	3.9
90°	81.0	74.0	39.0	12.0	0.0
95°	74.0	67.0	37.0	11.0	0.0
100°	68.0	61.0	33.0	9.7	0.0
105°	62.0	55.0	28.0	8.0	0.0
110°	56.0	48.0	24.0	6.8	0.0
115°	50.0	42.0	20.0	5.7	0.0
120°	42.0	34.0	16.0	4.8	0.0
125°	33.0	27.0	13.0	4.2	0.0
130°	25.0	21.0	9.8	3.8	0.0
135°	18.0	16.0	7.6	3.3	0.0
140°	14.0	12.0	6.1	2.9	0.0
145°	11.0	9.4	5.3	2.6	0.0
150°	9.0	7.6	4.6	2.3	0.0
155°	7.1	6.1	4.0	1.7	0.0
160°	5.1	4.7	2.9	1.3	0.0
165°	3.1	3.1	2.0	1.0	0.0
170°	1.7	1.8	1.1	0.6	0.0
175°	0.7	0.7	0.4	0.4	0.0
180°	0.0	0.0	0.0	0.0	0.0

AVERAGE LUMINANCE TABLE

γ Gamma	C0	C45	C90
45°	920	779	778
55°	900	615	518
65°	947	546	411
75°	1020	601	315
85°	1150	710	207

Luminance in cd/m<sup>2</sup>/1000lms

**UTILISATION FACTOR TABLE - CIBSE TM5 (fine grid method min/ave 0.8)**

LOR: 67.8%				SHR NOM: 1.25 : 1.0				SHR MAX: 1.45 : 1.0			
Reflectance			Room Index (K)								
Ceiling	Walls	Floor	0.75	1.00	1.25	1.50	2.00	2.50	3.00	4.00	5.00
0.70	0.50	0.20	0.34	0.40	0.44	0.47	0.52	0.55	0.58	0.61	0.63
0.70	0.30	0.20	0.28	0.34	0.39	0.42	0.47	0.51	0.54	0.58	0.60
0.70	0.10	0.20	0.24	0.30	0.35	0.38	0.43	0.47	0.50	0.54	0.57
0.50	0.50	0.20	0.31	0.37	0.41	0.44	0.48	0.51	0.53	0.56	0.58
0.50	0.30	0.20	0.27	0.32	0.36	0.40	0.44	0.47	0.50	0.53	0.56
0.50	0.10	0.20	0.23	0.29	0.33	0.36	0.41	0.44	0.47	0.51	0.53
0.30	0.50	0.20	0.29	0.34	0.38	0.40	0.44	0.47	0.49	0.51	0.53
0.30	0.30	0.20	0.25	0.30	0.34	0.37	0.41	0.44	0.46	0.49	0.51
0.30	0.10	0.20	0.22	0.27	0.31	0.34	0.38	0.42	0.44	0.47	0.49
0.00	0.00	0.00	0.20	0.24	0.28	0.30	0.34	0.37	0.39	0.42	0.44
Distribution Factors	Floor:		0.20	0.24	0.28	0.30	0.34	0.37	0.39	0.42	0.44
	Walls:		0.36	0.31	0.28	0.25	0.22	0.19	0.17	0.14	0.12
	Ceiling:		0.12	0.12	0.12	0.12	0.12	0.12	0.12	0.12	0.12
Bz Numbers			6	5	6	6	6	6	6	6	6

Photometric data also applies to 18 Watt model

**MALAYSIA** KUALA LUMPUR Sales Office: Tel:(03) 5636 4348 Fax:(03) 5636 4352 **PENANG** Sales Office: Tel:(04) 507 0580 Fax:(04) 507 0968 **SINGAPORE** Sales Office: Tel: 6745 2511 Fax: 6745 5828 **AUSTRALIA** Sales ENQUIRIES ALL STATES: Tel: 1300 851 001 **NEW ZEALAND** AUCKLAND Sales Office (09) 2710204 Fax: (09) 2713144

Distributors in: Pacific Islands, New Zealand, United Kingdom, Vietnam, Thailand, Indonesia, Bangladesh, Sri Lanka

Lighting designs on request  
 IES files on request or available on Davis website  
 Website: [www.davislighting.com](http://www.davislighting.com)  
 Email: [sales@davislighting.com](mailto:sales@davislighting.com)  
 Davis Lighting is a registered trade name

Davis Lighting reserves the right to change specifications and materials without prior notice. Materials and components may vary from region to region.



"When your business depends on light."