

# LEDA SEMI LOW BRIGHT 2 x 18 WATT 600 x 600mm (Nom)

600 x 600mm (nom) 2 x 18 WATT LEDA SEMI LOW BRIGHT

## RECESSED T-BAR – LETW218S



### SPECULAR LOUVRE

#### FEATURES

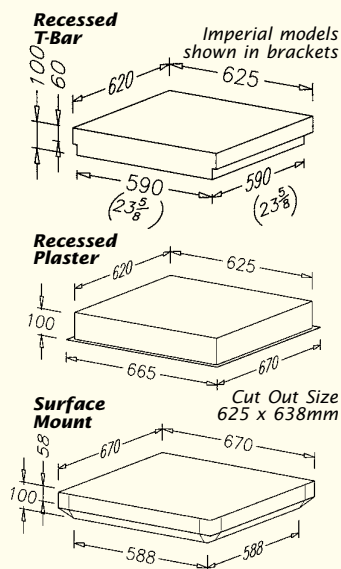
- High grade aluminium louvres for long life and superior performance.
- Hinged louvre for easy tube replacement.
- Available in code, low loss or electronic ballast.
- Louvres also available in matt finish.
- Metal surfaces pretreated and degreased before being polyester epoxy powder coated and baked for high protection and quality finish.
- High reflectivity (94%) paint.
- Designed for quick and easy installation to save both time and money.
- Low profile 100mm depth for ease of installation where limited ceiling space is a problem.
- Surface Mount features attractive sleek styling for low profile appearance.
- High temperature internal wiring for added safety.
- Control gear mounting tray with holes pre-tapped for ease of ballast replacement.
- T-Bar and Recessed Plaster supplied with either 1.5 metre of flex and plug or for fixed wiring.

#### APPLICATION

The **Leda Semi Low Bright** is particularly suitable for shopping centres, display areas and where vertical illumination is important.

This range is available in models to suit recessed T-bar ceilings, recessed plaster ceilings and low profile surface mounting.

#### DIMENSIONS



#### RECESSED PLASTER LEPW218S



Luminaire can be fixed from the ends by crank bracket supplied or from the side using the preformed holes. Battening is required to a maximum height of 45mm including ceiling sheet.

#### SURFACE MOUNT LESW218S



Manufactured to standards –EN60598.1  
 EN60598.2.1  
 EN60598.2.2  
 EN55015 (AS/NZS 4051)  
 EMC Compliant Supplier Code N1562 (Aust)

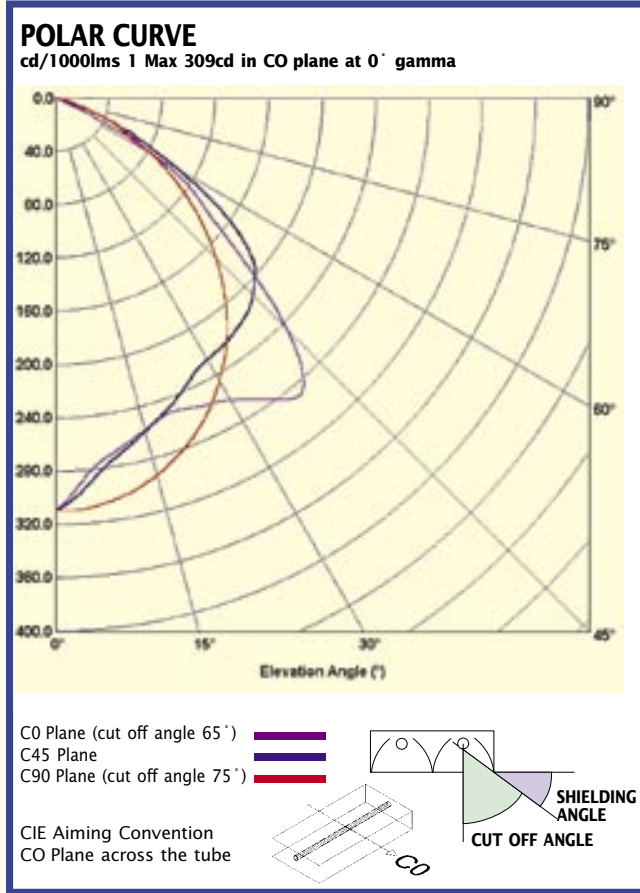


“When your business depends on light.”

# LEDA SERIES

2x5 Cell 2/18 watt 600mm wide with Specular louvre  
Photometric data applies to all three models

**LETW218S Recessed T/Bar**  
**LEPW218S Recessed Plaster**  
**LESW218S Surface Mount**



γ Gamma	C0	C22.5	C45	C67.5	C90
0°	309	309	309	309	309
5°	281	283	290	299	308
10°	268	269	271	283	302
15°	258	258	259	267	293
20°	250	248	247	252	280
25°	255	247	235	237	264
30°	261	249	226	220	245
35°	276	257	223	203	223
40°	290	265	218	185	198
45°	246	248	209	167	170
50°	175	189	196	150	142
55°	131	129	159	128	112
60°	84.7	95.3	105	102	82.4
65°	22.5	40.3	63.4	74.3	53.2
70°	1.0	5.9	27.7	41.3	30.0
75°	0.7	4.2	7.9	15.6	14.1
80°	0.2	2.5	4.7	6.7	7.2
85°	0.0	1.0	1.7	2.5	2.7
90°	0.0	0.0	0.0	0.0	0.0

LUMINOUS OPENING: 534mm x 534mm

γ Gamma	C0	C45	C90
45°	1220	1040	845
55°	800	973	684
65°	187	526	441
75°	9.48	107	191
85°	0.0	68.4	109

Luminance in cd/m<sup>2</sup>/1000lms

LOR: 70.8%				SHR NOM: 1.5 : 1.0					SHR MAX: 1.55 : 1.0			
Reflectance				Room Index (K)								
Ceiling	Wall	Floor	0.75	1.00	1.25	1.50	2.00	2.50	3.00	4.00	5.00	
0.70	0.50	0.20	0.46	0.53	0.58	0.61	0.66	0.69	0.71	0.74	0.75	
0.70	0.30	0.20	0.41	0.48	0.53	0.57	0.63	0.66	0.68	0.71	0.73	
0.70	0.10	0.20	0.38	0.44	0.50	0.54	0.60	0.63	0.66	0.69	0.72	
0.50	0.50	0.20	0.45	0.51	0.56	0.60	0.64	0.67	0.69	0.71	0.72	
0.50	0.30	0.20	0.41	0.47	0.52	0.56	0.61	0.64	0.66	0.69	0.71	
0.50	0.10	0.20	0.38	0.44	0.49	0.53	0.58	0.62	0.64	0.67	0.69	
0.30	0.50	0.20	0.44	0.50	0.55	0.58	0.62	0.65	0.66	0.68	0.70	
0.30	0.30	0.20	0.40	0.46	0.51	0.55	0.60	0.62	0.64	0.67	0.69	
0.30	0.10	0.20	0.37	0.43	0.49	0.53	0.57	0.60	0.63	0.66	0.67	
0.00	0.00	0.00	0.36	0.42	0.47	0.51	0.55	0.58	0.60	0.62	0.64	
Distribution Factors		Floor:	0.36	0.42	0.47	0.51	0.55	0.58	0.60	0.62	0.64	
		Wall:	0.35	0.29	0.24	0.20	0.16	0.13	0.11	0.08	0.07	
		Ceiling:	0.0	0.0	0.0	0.0	0.0	0.0	0.0	0.0	0.0	
BZ Numbers:			3	3	3	3	3	2	3	3	2	

**MALAYSIA** KUALA LUMPUR Sales Office: Tel:(03) 5636 4348 Fax:(03) 5636 4352 **PENANG** Sales Office: Tel:(04) 5070580  
**Fax: (04) 5070968** **SINGAPORE** Sales Office: Tel: 6745 2511 Fax: 6745 5828 **AUSTRALIA** Sales ENQUIRIES ALL STATES:  
**Tel: 1300 851 001** **NEW ZEALAND** AUCKLAND Sales Office (09) 2710204 Fax: (09) 2713144

**Distributors in:** Pacific Islands, New Zealand, United Kingdom, Vietnam, Thailand, Indonesia, Bangladesh, Sri Lanka

Lighting designs on request  
IES files on request or available on Davis website

Website: [www.davislighting.com](http://www.davislighting.com)

Email: [sales@davislighting.com](mailto:sales@davislighting.com)

Davis Lighting is a registered trade name

Davis Lighting reserves the right to change specifications and materials without prior notice.  
Materials and components may vary from region to region.



*"When your  
business  
depends  
on light."*

# LEDA SEMI LOW BRIGHT 2 x 36 WATT 1200 x 600mm (Nom)

## RECESSED T-BAR – LETW236S



### SPECULAR LOUVRE FEATURES

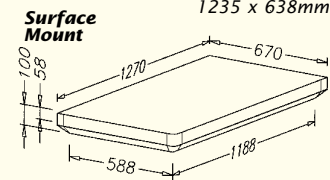
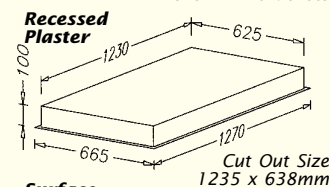
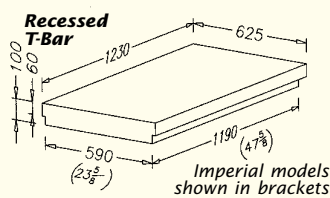
- High grade aluminium louvres for long life and superior performance.
- Hinged louvre for easy tube replacement.
- Available in code, low loss or electronic ballast.
- Louvres also available in matt finish.
- Metal surfaces pretreated and degreased before being polyester epoxy powder coated and baked for high protection and quality finish.
- High reflectivity (94%) paint.
- Designed for quick and easy installation to save both time and money.
- Low profile 100mm depth for ease of installation where limited ceiling space is a problem.
- Surface Mount features attractive sleek styling for low profile appearance.
- High temperature internal wiring for added safety.
- Control gear mounting tray with holes pre-tapped for ease of ballast replacement.
- T-Bar and Recessed Plaster supplied with either 1.5 metre of flex and plug or for fixed wiring.

### APPLICATION

The **Leda Semi Low Bright** is particularly suitable for shopping centres, display areas and where vertical illumination is important.

This range is available in models to suit recessed T-bar ceilings, recessed plaster ceilings and low profile surface mounting.

### DIMENSIONS



### RECESSED PLASTER LEPW236S



Luminaire can be fixed from the ends by crank bracket supplied or from the side using the preformed holes. Battening is required to a maximum height of 45mm including ceiling sheet.

### SURFACE MOUNT LESW236S



1200 x 600mm (nom) 2 x 36 WATT LEDA SEMI LOW BRIGHT



Manufactured to standards –EN60598.1  
 EN60598.2.1  
 EN60598.2.2  
 EN55015 (AS/NZS 4051)  
 EMC Compliant Supplier Code N1562 (Aust)

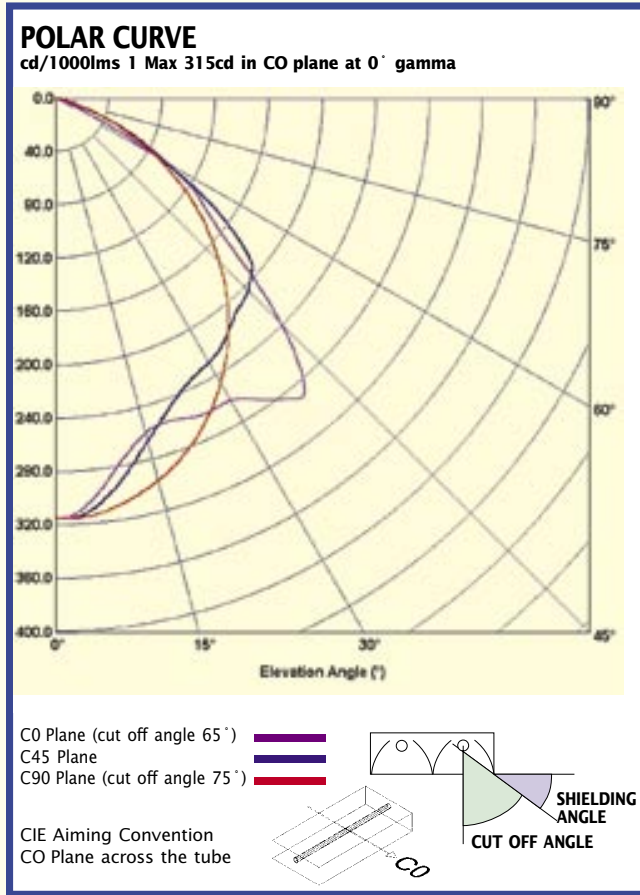


*“When your  
 business  
 depends  
 on light.”*

# LEDA SERIES

2x11 Cell 2/36 watt 600mm wide with Specular louvre  
Photometric data applies to all three models

**LETW236S Recessed T/Bar**  
**LEPW236S Recessed Plaster**  
**LESW236S Surface Mount**



γ Gamma	C0	C22.5	C45	C67.5	C90
0°	315	315	315	315	315
5°	303	306	310	313	314
10°	277	281	289	302	307
15°	259	260	266	284	297
20°	256	251	247	264	283
25°	262	252	235	241	266
30°	260	250	229	219	247
35°	276	253	221	198	225
40°	293	262	209	178	200
45°	240	243	204	161	174
50°	167	181	193	144	146
55°	132	127	148	119	117
60°	87.7	97.8	93.5	95.3	87.2
65°	19.4	40.3	63.2	69.5	57.9
70°	2.2	7.1	28	39.2	32.9
75°	1.4	4.8	8.5	14.6	13.8
80°	0.8	2.9	4.6	6.7	7.2
85°	0.2	1.0	1.7	2.5	3.0
90°	0.0	0.0	0.0	0.0	0.0

LUMINOUS OPENING: 1134mm x 534mm

γ Gamma	C0	C45	C90
45°	560	476	405
55°	380	426	337
65°	75.8	247	226
75°	8.93	54.2	88
85°	3.79	32.2	56.8

Luminance in cd/m<sup>2</sup>/1000lms

LOR: 70.5%				SHR NOM: 1.5 : 1.0				SHR MAX: 1.55 : 1.0			
Reflectance			0.75	Room Index (K)							
Ceiling	Wall	Floor		1.00	1.25	1.50	2.00	2.50	3.00	4.00	5.00
0.70	0.50	0.20	0.46	0.53	0.58	0.61	0.66	0.69	0.71	0.73	0.75
0.70	0.30	0.20	0.42	0.48	0.53	0.57	0.62	0.66	0.68	0.71	0.73
0.70	0.10	0.20	0.38	0.45	0.50	0.54	0.60	0.63	0.66	0.69	0.71
0.50	0.50	0.20	0.45	0.51	0.56	0.60	0.64	0.66	0.68	0.71	0.72
0.50	0.30	0.20	0.41	0.47	0.52	0.56	0.61	0.64	0.66	0.69	0.71
0.50	0.10	0.20	0.38	0.44	0.50	0.53	0.58	0.62	0.64	0.67	0.69
0.30	0.50	0.20	0.44	0.50	0.55	0.58	0.62	0.64	0.66	0.68	0.69
0.30	0.30	0.20	0.41	0.46	0.52	0.55	0.59	0.62	0.64	0.67	0.68
0.30	0.10	0.20	0.38	0.44	0.49	0.53	0.57	0.60	0.62	0.65	0.67
0.00	0.00	0.00	0.36	0.42	0.47	0.51	0.55	0.58	0.60	0.62	0.64
Distribution Factors	Floor:		0.36	0.42	0.47	0.51	0.55	0.58	0.60	0.62	0.64
	Wall:		0.34	0.28	0.23	0.20	0.15	0.13	0.11	0.08	0.07
	Ceiling:		0.00	0.00	0.00	0.00	0.00	0.00	0.00	0.00	0.00
BZ Numbers:			3	3	3	3	2	2	2	2	2

**MALAYSIA** KUALA LUMPUR Sales Office: Tel:(03) 5636 4348 Fax:(03) 5636 4352 **PENANG** Sales Office: Tel:(04) 5070580  
 Fax:(04) 5070968 **SINGAPORE** Sales Office: Tel: 6745 2511 Fax: 6745 5828 **AUSTRALIA** Sales ENQUIRIES ALL STATES:  
 Tel: 1300 851 001 **NEW ZEALAND** AUCKLAND Sales Office (09) 2710204 Fax: (09) 2713144

Distributors in: Pacific Islands, New Zealand, United Kingdom, Vietnam, Thailand, Indonesia, Bangladesh, Sri Lanka

Lighting designs on request  
IES files on request or available on Davis website

Website: [www.davislighting.com](http://www.davislighting.com)

Email: [sales@davislighting.com](mailto:sales@davislighting.com)

Davis Lighting is a registered trade name

Davis Lighting reserves the right to change specifications and materials without prior notice.  
Materials and components may vary from region to region.



*"When your  
business  
depends  
on light."*

# LEDA SEMI LOW BRIGHT 3 x 18 WATT 600 x 600mm (Nom)

600 x 600mm (nom) 3 x 18 WATT LEDA SEMI LOW BRIGHT

## RECESSED T-BAR – LETW318S



### SPECULAR LOUVRE

#### FEATURES

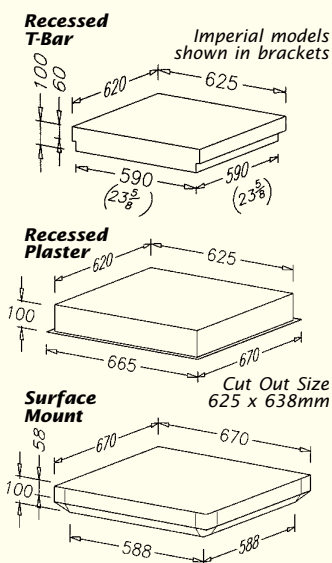
- High grade aluminium louvres for long life and superior performance.
- Hinged louvre for easy tube replacement.
- Available in code, low loss or electronic ballast.
- Louvres also available in matt finish.
- Metal surfaces pretreated and degreased before being polyester epoxy powder coated and baked for high protection and quality finish.
- High reflectivity (94%) paint.
- Designed for quick and easy installation to save both time and money.
- Low profile 100mm depth for ease of installation where limited ceiling space is a problem.
- Surface Mount features attractive sleek styling for low profile appearance.
- High temperature internal wiring for added safety.
- Control gear mounting tray with holes pre-tapped for ease of ballast replacement.
- T-Bar and Recessed Plaster supplied with either 1.5 metre of flex and plug or for fixed wiring.

#### APPLICATION

The **Leda Semi Low Bright** is particularly suitable for shopping centres, display areas and where vertical illumination is important.

This range is available in models to suit recessed T-bar ceilings, recessed plaster ceilings and low profile surface mounting.

#### DIMENSIONS



#### RECESSED PLASTER LEPW318S



Luminaire can be fixed from the ends by crank bracket supplied or from the side using the preformed holes. Battening is required to a maximum height of 45mm including ceiling sheet.

#### SURFACE MOUNT LESW318S



Manufactured to standards –EN60598.1  
EN60598.2.1  
EN60598.2.2  
EN55015 (AS/NZS 4051)  
EMC Compliant Supplier Code N1562 (Aust)

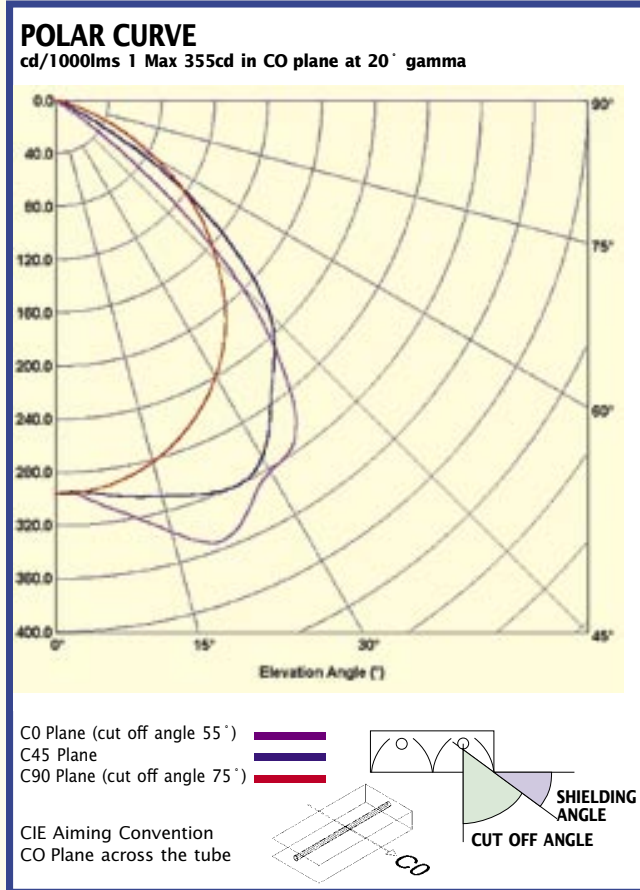


“When your business depends on light.”

# LEDA SERIES

3x5 Cell 3/18 watt 600mm wide with Specular louvre  
Photometric data applies to all three models

**LETW318S Recessed T/Bar**  
**LEPW318S Recessed Plaster**  
**LESW318S Surface Mount**



LUMINOUS INTENSITY TABLE (cd/1000lms)

γ Gamma	C0	C22.5	C45	C67.5	C90
0°	296	296	296	296	296
5°	301	300	296	293	294
10°	316	312	302	291	289
15°	336	327	308	289	281
20°	355	344	315	284	270
25°	342	339	320	276	256
30°	322	313	310	266	240
35°	313	302	281	253	221
40°	268	272	255	237	198
45°	200	211	228	214	171
50°	103	133	178	181	146
55°	29.5	49.1	119	142	117
60°	2.6	9.6	53.7	107	86.5
65°	2.0	5.9	16.8	64.9	58.2
70°	1.3	4.8	8.7	31.2	32
75°	0.8	3.6	6.6	12	14.3
80°	0.3	2.1	4.1	6.3	7.6
85°	0.2	0.7	1.6	2.5	3
90°	0.0	0.0	0.0	0.0	0.0

LUMINOUS OPENING: 534mm x 534mm

AVERAGE LUMINANCE TABLE

γ Gamma	C0	C45	C90
45°	992	1130	848
55°	180	728	715
65°	16.6	139	483
75°	10.8	89.4	194
85°	8.05	64.4	121

Luminance in cd/m<sup>2</sup>/1000lms

**UTILISATION FACTOR TABLE - CIBSE TM5 (fine grid method min/ave 0.8)**

LOR: 71.8%				SHR NOM: 1.25 : 1.0				SHR MAX: 1.40			
Reflectance				Room Index (K)							
Ceiling	Wall	Floor	0.75	1.00	1.25	1.50	2.00	2.50	3.00	4.00	5.00
0.70	0.50	0.20	0.48	0.55	0.60	0.64	0.68	0.71	0.73	0.75	0.77
0.70	0.30	0.20	0.43	0.51	0.56	0.60	0.65	0.68	0.70	0.73	0.75
0.70	0.10	0.20	0.40	0.48	0.53	0.57	0.62	0.65	0.68	0.71	0.73
0.50	0.50	0.20	0.47	0.54	0.59	0.62	0.66	0.69	0.70	0.73	0.74
0.50	0.30	0.20	0.43	0.50	0.55	0.59	0.63	0.66	0.68	0.71	0.72
0.50	0.10	0.20	0.39	0.47	0.52	0.56	0.61	0.64	0.66	0.69	0.71
0.30	0.50	0.20	0.46	0.53	0.57	0.60	0.64	0.66	0.68	0.70	0.71
0.30	0.30	0.20	0.42	0.49	0.54	0.57	0.62	0.64	0.66	0.69	0.70
0.30	0.10	0.20	0.39	0.47	0.52	0.55	0.60	0.63	0.65	0.67	0.69
0.00	0.00	0.00	0.38	0.45	0.50	0.53	0.57	0.60	0.62	0.64	0.66
Distribution Factors	Floor:		0.38	0.45	0.50	0.53	0.57	0.60	0.62	0.64	0.66
	Wall:		0.34	0.27	0.22	0.19	0.15	0.12	0.10	0.08	0.06
	Ceiling:		0.00	0.00	0.00	0.00	0.00	0.00	0.00	0.00	0.00
BZ Numbers:			2	2	2	2	2	2	2	2	2

**MALAYSIA** KUALA LUMPUR Sales Office: Tel:(03) 5636 4348 Fax:(03) 5636 4352 **PENANG** Sales Office: Tel:(04) 5070580  
 Fax:(04) 5070968 **SINGAPORE** Sales Office: Tel: 6745 2511 Fax: 6745 5828 **AUSTRALIA** Sales ENQUIRIES ALL STATES:  
 Tel: 1300 851 001 **NEW ZEALAND** AUCKLAND Sales Office (09) 2710204 Fax: (09) 2713144

**Distributors in:** Pacific Islands, New Zealand, United Kingdom, Vietnam, Thailand, Indonesia, Bangladesh, Sri Lanka

Lighting designs on request  
IES files on request or available on Davis website

Website: [www.davislighting.com](http://www.davislighting.com)

Email: [sales@davislighting.com](mailto:sales@davislighting.com)

Davis Lighting is a registered trade name

Davis Lighting reserves the right to change specifications and materials without prior notice.  
Materials and components may vary from region to region.



*"When your  
business  
depends  
on light."*

# LEDA SEMI LOW BRIGHT 3 x 36 WATT 1200 x 600mm (Nom)



## SPECULAR LOUVRE FEATURES

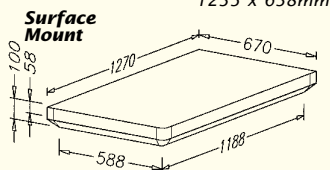
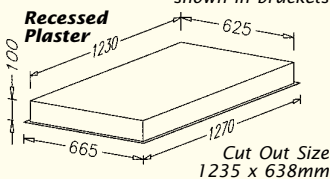
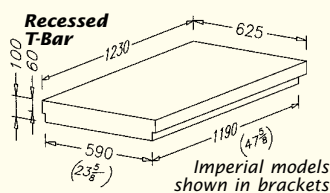
- High grade aluminium louvres for long life and superior performance.
- Hinged louvre for easy tube replacement.
- Available in code, low loss or electronic ballast.
- Louvres also available in matt finish.
- Metal surfaces pretreated and degreased before being polyester epoxy powder coated and baked for high protection and quality finish.
- High reflectivity (94%) paint.
- Designed for quick and easy installation to save both time and money.
- Low profile 100mm depth for ease of installation where limited ceiling space is a problem.
- Surface Mount features attractive sleek styling for low profile appearance.
- High temperature internal wiring for added safety.
- Control gear mounting tray with holes pre-tapped for ease of ballast replacement.
- T-Bar and Recessed Plaster supplied with either 1.5 metre of flex and plug or for fixed wiring.

## APPLICATION

The **Leda Semi Low Bright** is particularly suitable for shopping centres, display areas and where vertical illumination is important.

This range is available in models to suit recessed T-bar ceilings, recessed plaster ceilings and low profile surface mounting.

## DIMENSIONS



## RECESSED PLASTER LEPW336S



Luminaire can be fixed from the ends by crank bracket supplied or from the side using the preformed holes. Battening is required to a maximum height of 45mm including ceiling sheet.

## SURFACE MOUNT LESW336S



1200 x 600mm (nom) 3 x 36 WATT LEDA SEMI LOW BRIGHT



Manufactured to standards –EN60598.1  
EN60598.2.1  
EN60598.2.2  
EN55015 (AS/NZS 4051)  
EMC Compliant Supplier Code N1562 (Aust)

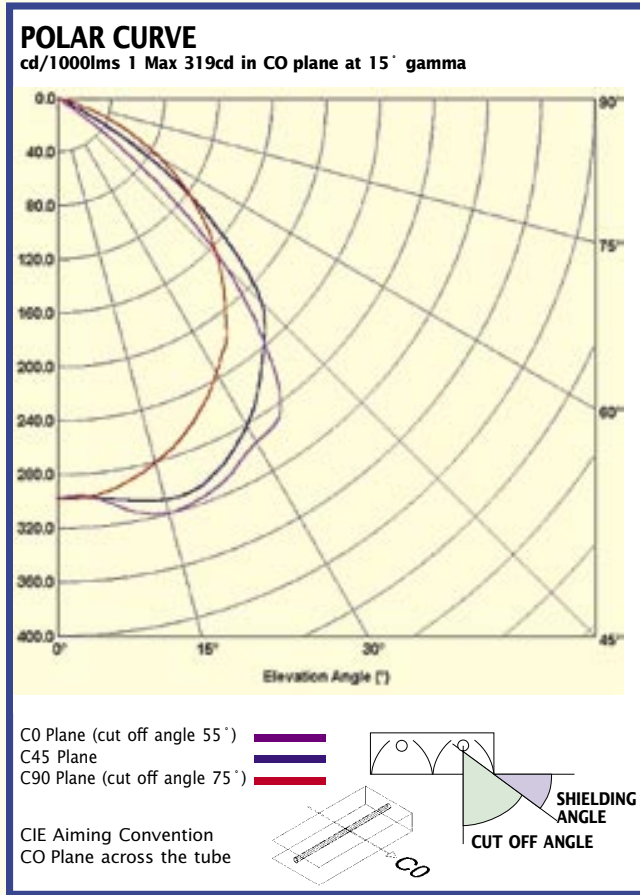


“When your  
business  
depends  
on light.”

# LEDA SERIES

3 x 11 Cell 3/36 watt 600mm wide with Specular Louvre  
Photometric data applies to all three models

**LETW336S Recessed T-Bar**  
**LEPW336S Recessed Plaster**  
**LESW336S Surface Mount**



LUMINOUS INTENSITY TABLE (cd/1000lms)

γ Gamma	C0	C22.5	C45	C67.5	C90
0°	297	297	297	297	297
5°	296	299	298	296	297
10°	311	313	303	294	290
15°	319	321	309	290	281
20°	315	316	308	286	268
25°	307	307	297	278	254
30°	295	292	281	265	236
35°	290	281	261	247	220
40°	241	252	239	222	193
45°	178	191	216	196	168
50°	94.4	122	164	166	143
55°	29	47.7	109	132	116
60°	4.2	8.7	48.8	99.9	87.3
65°	3.0	6.5	14.8	62.3	58.8
70°	2.1	5.1	8.6	29.6	33.1
75°	1.3	3.5	6.3	10.9	13.3
80°	0.6	2.1	3.7	5.8	6.8
85°	0.2	0.8	1.5	2.4	2.6
90°	0.0	0.0	0.0	0.0	0.0

LUMINOUS OPENING: 1134mm x 534mm

AVERAGE LUMINANCE TABLE

γ Gamma	C0	C45	C90
45°	416	504	394
55°	83.5	314	333
65°	11.7	57.8	230
75°	8.29	40.2	84.9
85°	3.79	28.4	49.3

Luminance in cd/m<sup>2</sup>/1000lms

**UTILISATION FACTOR TABLE - CIBSE TM5 (fine grid method min/ave 0.8)**

LOR: 68%				SHR NOM: 1.5 : 1.0				SHR MAX: 1.65 : 1.0			
Reflectance				Room Index (K)							
Ceiling	Wall	Floor	0.75	1.00	1.25	1.50	2.00	2.50	3.00	4.00	5.00
0.70	0.50	0.20	0.49	0.55	0.59	0.62	0.66	0.68	0.70	0.72	0.73
0.70	0.30	0.20	0.45	0.51	0.55	0.59	0.63	0.66	0.68	0.70	0.72
0.70	0.10	0.20	0.42	0.48	0.53	0.56	0.60	0.63	0.66	0.68	0.70
0.50	0.50	0.20	0.48	0.54	0.58	0.60	0.64	0.66	0.67	0.69	0.71
0.50	0.30	0.20	0.45	0.50	0.54	0.57	0.61	0.64	0.66	0.68	0.69
0.50	0.10	0.20	0.42	0.48	0.52	0.55	0.59	0.62	0.64	0.66	0.68
0.30	0.50	0.20	0.48	0.52	0.56	0.59	0.62	0.64	0.65	0.67	0.68
0.30	0.30	0.20	0.44	0.49	0.54	0.56	0.60	0.62	0.64	0.66	0.67
0.30	0.10	0.20	0.42	0.47	0.51	0.54	0.58	0.61	0.62	0.65	0.66
0.00	0.00	0.00	0.41	0.46	0.50	0.52	0.56	0.58	0.60	0.62	0.63
Distribution Factors	Floor:		0.41	0.46	0.50	0.52	0.56	0.58	0.60	0.62	0.63
	Wall:		0.27	0.22	0.18	0.16	0.12	0.10	0.08	0.06	0.05
	Ceiling:		0.0	0.0	0.0	0.0	0.0	0.0	0.0	0.0	0.0
BZ Numbers:			1	1	1	1	1	1	1	1	1

**MALAYSIA** KUALA LUMPUR Sales Office: Tel:(03) 5636 4348 Fax:(03) 5636 4352 **PENANG** Sales Office: Tel:(04) 5070580  
 Fax:(04) 5070968 **SINGAPORE** Sales Office: Tel: 6745 2511 Fax: 6745 5828 **AUSTRALIA** Sales ENQUIRIES ALL STATES:  
 Tel: 1300 851 001 **NEW ZEALAND** AUCKLAND Sales Office (09) 2710204 Fax: (09) 2713144

**Distributors in:** Pacific Islands, New Zealand, United Kingdom, Vietnam, Thailand, Indonesia, Bangladesh, Sri Lanka

Lighting designs on request  
IES files on request or available on Davis website

Website: [www.davislighting.com](http://www.davislighting.com)

Email: [sales@davislighting.com](mailto:sales@davislighting.com)

Davis Lighting is a registered trade name

Davis Lighting reserves the right to change specifications and materials without prior notice.  
Materials and components may vary from region to region.



*"When your  
business  
depends  
on light."*

# LEDA SEMI LOW BRIGHT 4 x 18 WATT 600 x 600mm (Nom)

600 x 600mm (nom) 4 x 18 WATT LEDA SEMI LOW BRIGHT

## RECESSED T-BAR – LETW418S



### SPECULAR LOUVRE

#### FEATURES

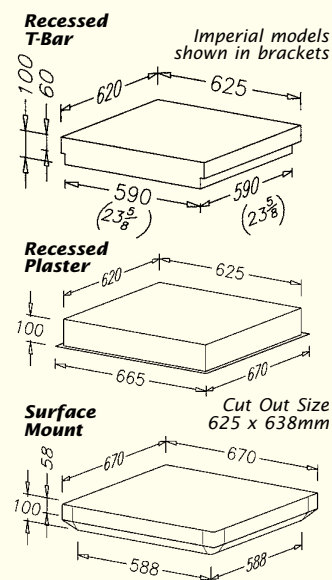
- High grade aluminium louvres for long life and superior performance.
- Hinged louvre for easy tube replacement.
- Available in code, low loss or electronic ballast.
- Louvres also available in matt finish.
- Metal surfaces pretreated and degreased before being polyester epoxy powder coated and baked for high protection and quality finish.
- High reflectivity (94%) paint.
- Designed for quick and easy installation to save both time and money.
- Low profile 100mm depth for ease of installation where limited ceiling space is a problem.
- Surface Mount features attractive sleek styling for low profile appearance.
- High temperature internal wiring for added safety.
- Control gear mounting tray with holes pre-tapped for ease of ballast replacement.
- T-Bar and Recessed Plaster supplied with either 1.5 metre of flex and plug or for fixed wiring.

#### APPLICATION

The **Leda Semi Low Bright** is particularly suitable for shopping centres, display areas and where vertical illumination is important.

This range is available in models to suit recessed T-bar ceilings, recessed plaster ceilings and low profile surface mounting.

#### DIMENSIONS



#### RECESSED PLASTER LEPW418S



Luminaire can be fixed from the ends by crank bracket supplied or from the side using the preformed holes. Battening is required to a maximum height of 45mm including ceiling sheet.

#### SURFACE MOUNT LESW418S



Manufactured to standards –EN60598.1  
EN60598.2.1  
EN60598.2.2  
EN55015 (AS/NZS 4051)  
EMC Compliant Supplier Code N1562 (Aust)

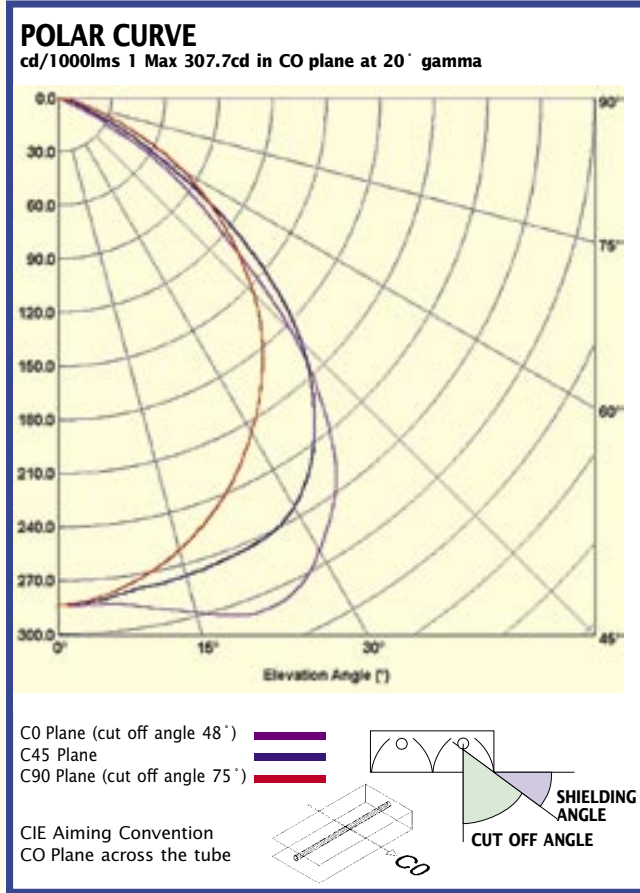


“When your business depends on light.”

# LEDA SERIES

4x5 Cell 4/18 watt 600mm wide with Specular louvre  
Photometric data applies to all three models

**LETW418S Recessed T/Bar**  
**LEPW418S Recessed Plaster**  
**LESW418S Surface Mount**



γ Gamma	C0	C22.5	C45	C67.5	C90
0°	283.3	283.3	283.3	283.3	283.3
5°	283.8	282.7	281.5	280.5	279.5
10°	288.8	284.7	277.1	273.4	271.7
15°	297.4	289.1	276.0	264.2	261.4
20°	307.7	295.2	273.9	254.7	248.6
25°	307.2	294.2	271.7	243.9	233.4
30°	291.9	281.5	263.9	230.9	215.9
35°	270.5	258.9	247.1	217.2	197.4
40°	233.5	229.0	222.1	201.4	177.4
45°	185.7	184.6	192.5	182.2	154.9
50°	123.9	129.8	152.0	157.9	129.7
55°	87.1	86.0	107.4	128.1	104.7
60°	49.7	52.5	63.2	92.5	80.8
65°	16.5	21.9	37.6	57.3	53.6
70°	4.2	7.0	16.4	30.7	32.3
75°	2.3	4.7	9.0	16.0	17.7
80°	0.8	2.8	5.7	8.7	10.4
85°	0.1	0.8	2.2	3.5	4.3
90°	0.0	0.0	0.0	0.0	0.0

LUMINOUS OPENING: 534mm x 534mm

γ Gamma	C0	C45	C90
45°	921	955	768
55°	533	657	640
65°	137	312	445
75°	31.2	122	240
85°	4.02	88.5	173

Luminance in cd/m<sup>2</sup>/1000lms

LOR: 66.6%				SHR NOM: 1.5 : 1.0				SHR MAX: 1.55 : 1.0			
Reflectance				Room Index (K)							
Ceiling	Wall	Floor	0.75	1.00	1.25	1.50	2.00	2.50	3.00	4.00	5.00
0.70	0.50	0.20	0.46	0.52	0.56	0.59	0.63	0.66	0.68	0.70	0.71
0.70	0.30	0.20	0.42	0.48	0.53	0.56	0.60	0.63	0.65	0.68	0.70
0.70	0.10	0.20	0.39	0.45	0.50	0.53	0.58	0.61	0.63	0.66	0.68
0.50	0.50	0.20	0.45	0.51	0.55	0.58	0.61	0.64	0.65	0.67	0.69
0.50	0.30	0.20	0.42	0.47	0.52	0.55	0.59	0.61	0.63	0.66	0.67
0.50	0.10	0.20	0.39	0.44	0.49	0.52	0.57	0.59	0.61	0.64	0.66
0.30	0.50	0.20	0.45	0.50	0.53	0.56	0.60	0.62	0.63	0.65	0.66
0.30	0.30	0.20	0.45	0.50	0.53	0.56	0.60	0.62	0.63	0.65	0.66
0.30	0.10	0.20	0.39	0.44	0.48	0.51	0.56	0.58	0.60	0.62	0.64
0.00	0.00	0.00	0.37	0.42	0.47	0.50	0.53	0.56	0.57	0.60	0.61
Distribution Factors	Floor:		0.37	0.42	0.47	0.50	0.53	0.56	0.57	0.59	0.61
	Wall:		0.29	0.24	0.20	0.1	0.13	0.11	0.09	0.07	0.06
	Ceiling:		0.0	0.0	0.0	0.0	0.0	0.0	0.0	0.0	0.0
BZ Numbers:			2	2	2	2	2	2	2	2	2

**MALAYSIA** KUALA LUMPUR Sales Office: Tel:(03) 5636 4348 Fax:(03) 5636 4352 **PENANG** Sales Office: Tel:(04) 5070580  
 Fax:(04) 5070968 **SINGAPORE** Sales Office: Tel: 6745 2511 Fax: 6745 5828 **AUSTRALIA** Sales ENQUIRIES ALL STATES:  
 Tel: 1300 851 001 **NEW ZEALAND** AUCKLAND Sales Office (09) 2710204 Fax: (09) 2713144

**Distributors in:** Pacific Islands, New Zealand, United Kingdom, Vietnam, Thailand, Indonesia, Bangladesh, Sri Lanka

Lighting designs on request  
IES files on request or available on Davis website

Website: [www.davislighting.com](http://www.davislighting.com)

Email: [sales@davislighting.com](mailto:sales@davislighting.com)

Davis Lighting is a registered trade name

Davis Lighting reserves the right to change specifications and materials without prior notice.  
Materials and components may vary from region to region.



*"When your  
business  
depends  
on light."*

# LEDA SEMI LOW BRIGHT 4 x 36 WATT 1200 x 600mm (Nom)

## RECESSED T-BAR – LETW436S



### SPECULAR LOUVRE FEATURES

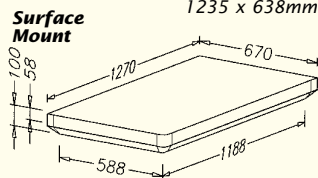
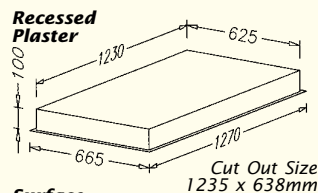
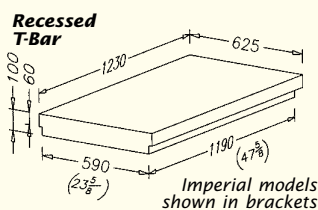
- High grade aluminium louvres for long life and superior performance.
- Hinged louvre for easy tube replacement.
- Available in code, low loss or electronic ballast.
- Louvres also available in matt finish.
- Metal surfaces pretreated and degreased before being polyester epoxy powder coated and baked for high protection and quality finish.
- High reflectivity (94%) paint.
- Designed for quick and easy installation to save both time and money.
- Low profile 100mm depth for ease of installation where limited ceiling space is a problem.
- Surface Mount features attractive sleek styling for low profile appearance.
- High temperature internal wiring for added safety.
- Control gear mounting tray with holes pre-tapped for ease of ballast replacement.
- T-Bar and Recessed Plaster supplied with either 1.5 metre of flex and plug or for fixed wiring.

### APPLICATION

The **Leda Semi Low Bright** is particularly suitable for shopping centres, display areas and where vertical illumination is important.

This range is available in models to suit recessed T-bar ceilings, recessed plaster ceilings and low profile surface mounting.

### DIMENSIONS



### RECESSED PLASTER LEPW436S



Luminaire can be fixed from the ends by crank bracket supplied or from the side using the preformed holes. Battening is required to a maximum height of 45mm including ceiling sheet.

### SURFACE MOUNT LESW436S



1200 x 600mm (nom) 4 x 36 WATT LEDA SEMI LOW BRIGHT



Manufactured to standards –EN60598.1  
EN60598.2.1  
EN60598.2.2  
EN55015 (AS/NZS 4051)  
EMC Compliant Supplier Code N1562 (Aust)

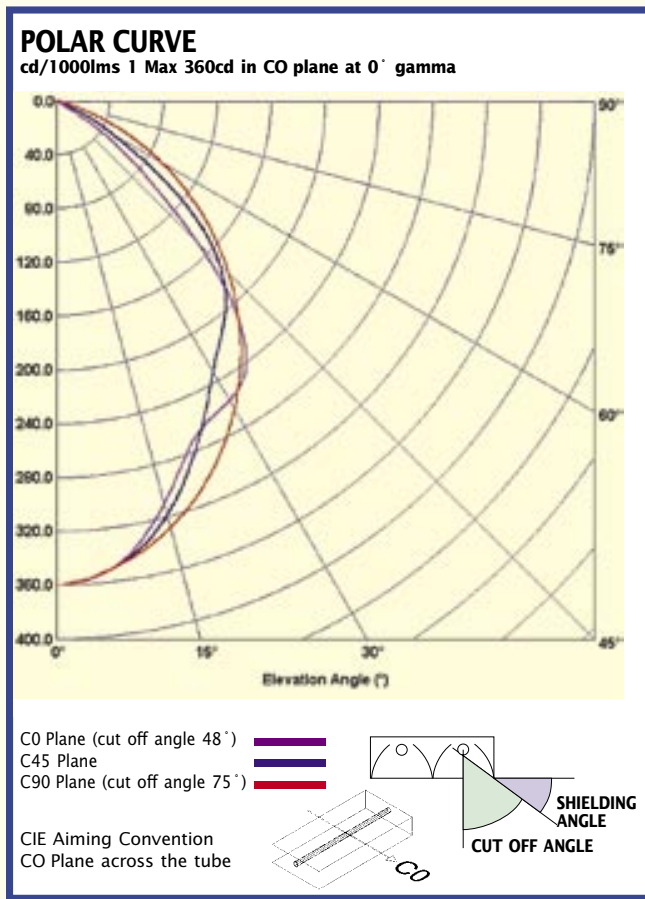


“When your  
business  
depends  
on light.”

# LEDA SERIES

4x11 Cell 4/36 watt 600mm wide with Specular louvre  
Photometric data applies to all three models

**LETW436S Recessed T/Bar**  
**LEPW436S Recessed Plaster**  
**LESW436S Surface Mount**



γ Gamma	C0	C22.5	C45	C67.5	C90
0°	360	360	360	360	360
5°	355	355	354	354	354
10°	337	339	341	342	342
15°	309	312	318	327	328
20°	280	282	290	306	310
25°	263	258	260	281	289
30°	257	247	232	251	265
35°	246	236	213	220	239
40°	212	210	196	190	211
45°	150	161	173	161	181
50°	87.8	99.4	136	135	151
55°	49.5	58.5	87.3	110	120
60°	14.3	25.6	48	82.8	90
65°	4.2	7.7	23	53	60.9
70°	2.8	5.1	9.2	24.4	34.2
75°	1.8	4.3	7.4	11	13.7
80°	0.7	2.6	4.6	6.1	7.6
85°	0.1	0.8	1.6	2.6	3.2
90°	0.0	0.0	0.0	0.0	0.0

LUMINOUS OPENING: 1134mm x 534mm

γ Gamma	C0	C45	C90
45°	349	403	424
55°	143	251	346
65°	16.4	89.9	238
75°	11.5	47.2	87.4
85°	1.89	30.3	60.6

Luminance in cd/m<sup>2</sup>/1000lms

LOR: 63.2%				SHR NOM: 1.25 : 1.0					SHR MAX: 1.45 : 1.0			
Reflectance				Room Index (K)								
Ceiling	Wall	Floor	0.75	1.00	1.25	1.50	2.00	2.50	3.00	4.00	5.00	
0.70	0.50	0.20	0.43	0.49	0.54	0.56	0.60	0.63	0.64	0.66	0.68	
0.70	0.30	0.20	0.39	0.46	0.50	0.53	0.57	0.60	0.62	0.65	0.66	
0.70	0.10	0.20	0.36	0.43	0.47	0.50	0.55	0.58	0.60	0.63	0.65	
0.50	0.50	0.20	0.42	0.48	0.52	0.55	0.58	0.61	0.62	0.64	0.65	
0.50	0.30	0.20	0.39	0.45	0.49	0.52	0.56	0.58	0.60	0.62	0.64	
0.50	0.10	0.20	0.36	0.42	0.47	0.50	0.54	0.57	0.58	0.61	0.63	
0.30	0.50	0.20	0.41	0.47	0.51	0.53	0.57	0.59	0.60	0.62	0.63	
0.30	0.30	0.20	0.38	0.44	0.48	0.51	0.55	0.57	0.58	0.60	0.62	
0.30	0.10	0.20	0.36	0.42	0.46	0.49	0.53	0.55	0.57	0.59	0.61	
0.00	0.00	0.00	0.35	0.41	0.44	0.47	0.51	0.53	0.55	0.57	0.58	
Distribution Factors	Floor:		0.35	0.41	0.44	0.47	0.51	0.53	0.55	0.57	0.58	
	Wall:		0.29	0.23	0.19	0.16	0.12	0.10	0.09	0.07	0.05	
	Ceiling:		0.0	0.0	0.0	0.0	0.0	0.0	0.0	0.0	0.0	
BZ Numbers:			2	2	2	2	2	2	2	2	2	

**MALAYSIA** KUALA LUMPUR Sales Office: Tel:(03) 5636 4348 Fax:(03) 5636 4352 **PENANG** Sales Office: Tel:(04) 5070580  
 Fax:(04) 5070968 **SINGAPORE** Sales Office: Tel: 6745 2511 Fax: 6745 5828 **AUSTRALIA** Sales ENQUIRIES ALL STATES:  
 Tel: 1300 851 001 **NEW ZEALAND** AUCKLAND Sales Office (09) 2710204 Fax: (09) 2713144

**Distributors in:** Pacific Islands, New Zealand, United Kingdom, Vietnam, Thailand, Indonesia, Bangladesh, Sri Lanka

Lighting designs on request  
 IES files on request or available on Davis website  
 Website: [www.davislighting.com](http://www.davislighting.com)  
 Email: [sales@davislighting.com](mailto:sales@davislighting.com)  
 Davis Lighting is a registered trade name  
 Davis Lighting reserves the right to change specifications and materials without prior notice.  
 Materials and components may vary from region to region.



*"When your business depends on light."*