

SHERATAN COMPACT FLUORESCENT DOWNLIGHT



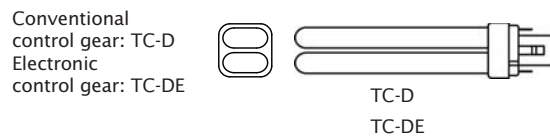
FEATURES

- Metal body & ceiling ring
- Matt black powder coated body finish
- Gloss white powder coated ceiling ring finish
- Integral control
- Available with convention or electronic control gear
- 150mm & 200mm diameter models
- Spun aluminium reflectors in specular or matt finish
- Open, drop glass, recessed (IP44) glass, or cross blades models
- Single or twin lamp configuration
- Horizontal lamps
- Both 150mm & 200mm diameter models have three (3) ceiling fixing brackets to ensure no movement of the downlight after installation
- Stainless steel fixing clips
- Gear tray support bracket

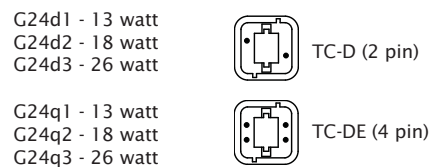
APPLICATION

- Domestic ▪ Commercial

LAMP TYPE



Lamp Base



150mm (Dia) MODELS

MODEL	WATTAGE
SHS113PLx	1/13w Open
SHS118PLx	1/18w Open
SHS213PLx	2/13w Open
SHS218PLx	2/18w Open
SHS113PLDGx	1/13w Drop Glass
SHS118PLDGx	1/18w Drop Glass
SHS213PLDGx	2/13w Drop Glass
SHS218PLDGx	2/18w Drop Glass
SHS113PLRGx	1/13w Recessed Glass
SHS118PLRGx	1/18w Recessed Glass
SHS213PLRGx	2/13w Recessed Glass
SHS218PLRGx	2/18w Recessed Glass
SHS113PLCBx	1/13w Cross Blade
SHS118PLCBx	1/18w Cross Blade
SHS213PLCBx	2/13w Cross Blade
SHS218PLCBx	2/18w Cross Blade

200mm (Dia) MODELS

MODEL	WATTAGE
SHL118PLx	1/18w Open
SHL126PLx	1/26w Open
SHL218PLx	2/18w Open
SHL226PLx	2/26w Open
SHL118PLDGx	1/18w Drop Glass
SHL126PLDGx	1/26w Drop Glass
SHL218PLDGx	2/18w Drop Glass
SHL226PLDGx	2/26w Drop Glass
SHL118PLRGx	1/18w Recessed Glass
SHL126PLRGx	1/26w Recessed Glass
SHL218PLRGx	2/18w Recessed Glass
SHL226PLRGx	2/26w Recessed Glass
SHL118PLCBx	1/18w Cross Blade
SHL126PLCBx	1/26w Cross Blade
SHL218PLCBx	2/18w Cross Blade
SHL226PLCBx	2/26w Cross Blade

x designates reflector type (s) specular or (m) matt.

SHERATAN COMPACT FLUORESCENT DOWNLIGHT



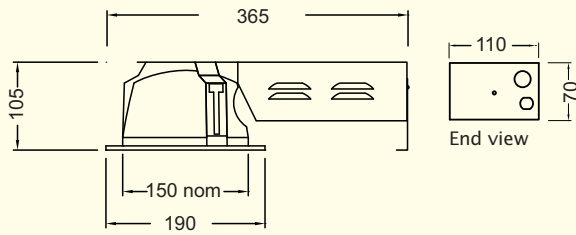
Manufactured to standards – IEC60598.1
IEC60598.2.1
IEC60598.2.2
CISPR15
EMC Compliant Supplier Code N1562 (Aust)



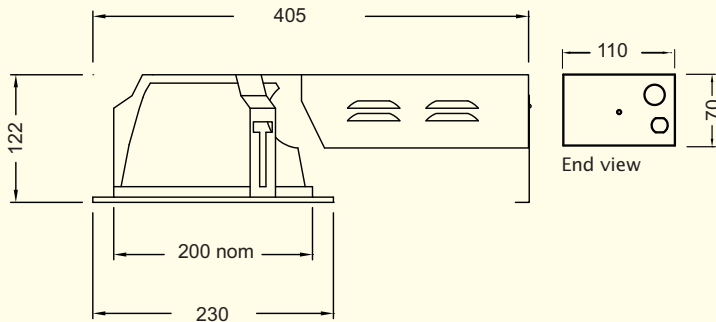
“When your business depends on light.”

SHERATAN COMPACT FLUORESCENT DOWNLIGHT

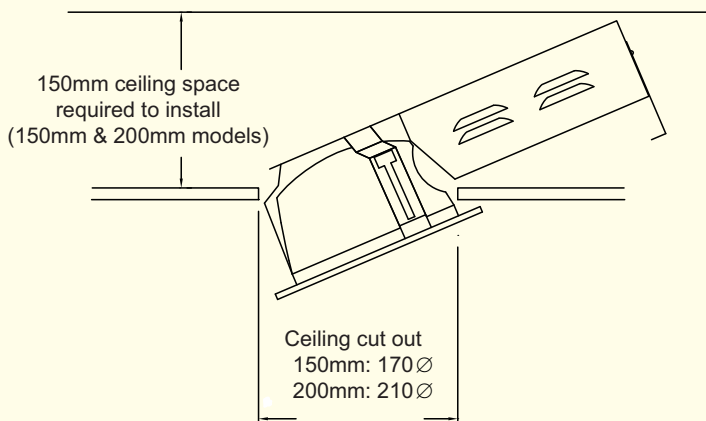
150mm MODEL DIMENSIONS



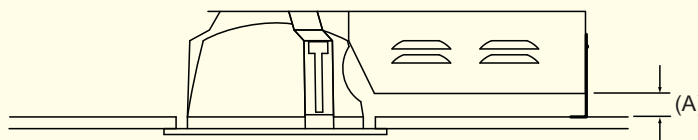
200mm MODEL DIMENSIONS



INSTALLATION DIMENSIONS

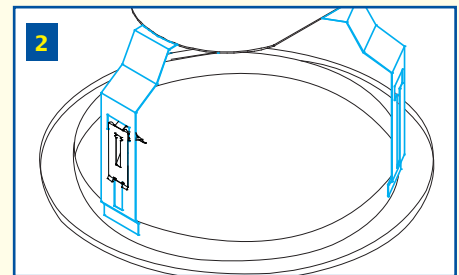
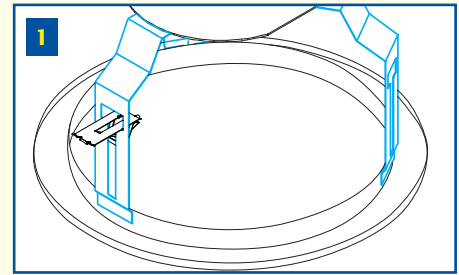


SUPPORT BRACKET ADJUSTMENT

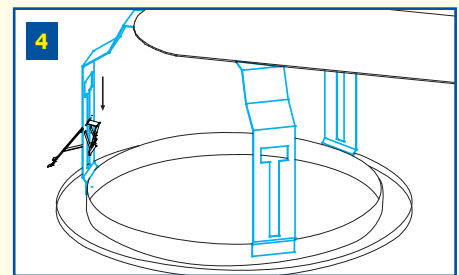
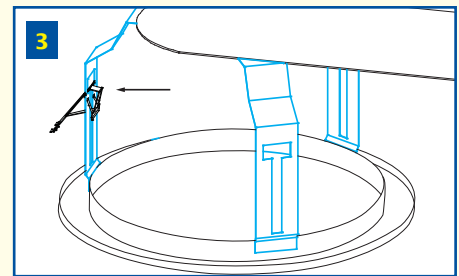


Adjusted length of support bracket (A)
 150mm models = 30mm less ceiling thickness
 200mm models = 45mm less ceiling thickness

FIXING CLIPS



Insert clip from inside (1) and secure to bracket (2)



Push clip outwards (3) and down (4) until firmly clamped to ceiling

AUSTRALIA ALL STATES Tel: 1300851001 **INDONESIA JAKARTA** Tel: +62 (21) 6904933 Fax: +62 (21) 6906987

MALAYSIA KUALA LUMPUR Tel: +60 (3) 5634348 Fax: +60 (3) 5634352 **PENANG** Tel: +60 (4) 5070580 Fax: +60 (4) 5070968

SINGAPORE Tel: +65 6742511 Fax: +65 6745828 **SOUTH PACIFIC ISLANDS BRISBANE** Tel: +61 (7) 38211315 Fax: +61 (7) 38211315

THAILAND BANGKOK Tel: +66 (2) 3825129 Fax: +66 (2) 3825128 **VIETNAM HOCHIMINH CITY** Tel: +84 8655011 Fax: +84 8622855

Distributors in: Bangladesh, Brunie, Fiji, Papua New Guinea, Sri Lanka

Lighting designs on request
 IES files on request or available on Davis website
 Website: www.davislighting.com
 Email: sales@davislighting.com

Davis Lighting is a registered trade name

Davis Lighting reserves the right to change specifications and materials without prior notice.
 Materials and components may vary from region to region.



"When your
 business
 depends
 on light."