

# TUNGSTEN HALOGEN FLOODLIGHT



## MODEL WATTAGE

### RECTANGULAR

<b>D150BL</b>	150w	Black
<b>D150BG</b>	150w	Beige
<b>D150GN</b>	150w	Green
<b>D150WH</b>	150w	White
<b>D500BL</b>	500w	Black
<b>D500BG</b>	500w	Beige
<b>D500GN</b>	500w	Green
<b>D500WH</b>	500w	White
<b>D1000BL</b>	1000w	Black
<b>D1500BL</b>	1500w	Black

### ROUND

<b>DR150BL</b>	150w	Black
<b>DR150BG</b>	150w	Beige
<b>DR150GN</b>	150w	Green
<b>DR150WH</b>	150w	White
<b>DR500BL</b>	500w	Black
<b>DR500BG</b>	500w	Beige
<b>DR500GN</b>	500w	Green
<b>DR500WH</b>	500w	White

## FEATURES

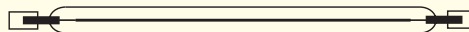
- Die cast aluminium body
- Two styles, rectangular & round
- Three body sizes, 150 watt (small), 500 watt (medium), & 1000/1500 watt (large)
- Powder coated in white, beige, green or black (D1000 & D1500 black only)
- Metal trunion arm
- Stainless steel screws
- IP44 degree of weatherproof protection
- Glass lens is retained in a hinged aluminium frame
- Tempered Glass to withstand thermal shock
- Fitted with RX7s lamp holders

## APPLICATION

Domestic situations such as back yards, barbecue & exterior entertainment areas, residential tennis courts

## LAMP

Linear double ended (R7s) tungsten halogen.



NOTE: The floodlight should be operated with the lamp in the horizontal position. ( $\pm 15^\circ$ ) or short lamp life will occur.

TUNGSTEN HALOGEN FLOODLIGHT

019A

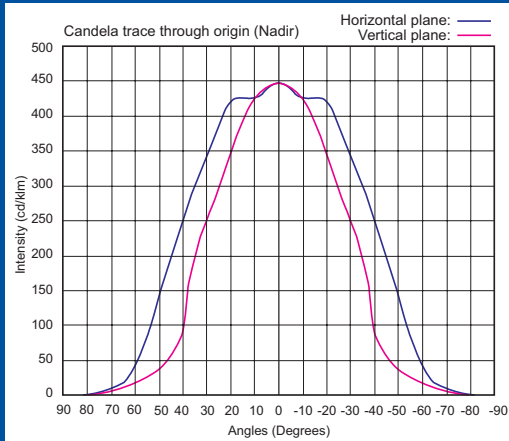
Manufactured to standards – IEC60598.1  
IEC60598.2.5  
CISPR15  
EMC Compliant Supplier Code N1562 (Aust)



“When your  
business  
depends  
on light.”

# TUNGSTEN HALOGEN FLOODLIGHT

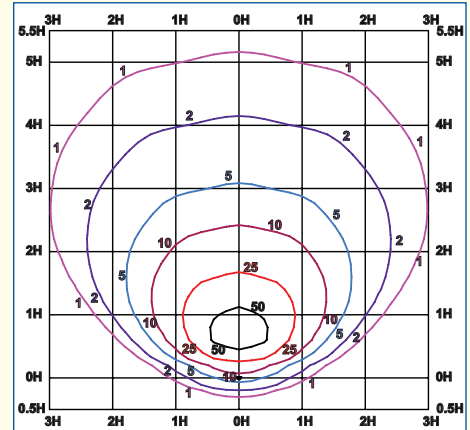
## D1500



PHOTOMETRY: NORMAL TO GLASS  
 I-MAX: 447 CD/KLM NORMAL TO GLASS  
 BEAM ANGLE: (50% I-MAX) 84.5H X 65.6V  
 FIELD ANGLE: (10% I-MAX) 118.2H X 95.6V  
 NEMA CLASS: 6H X 5V  
 BEAM TYPE: MEDIUM WIDE

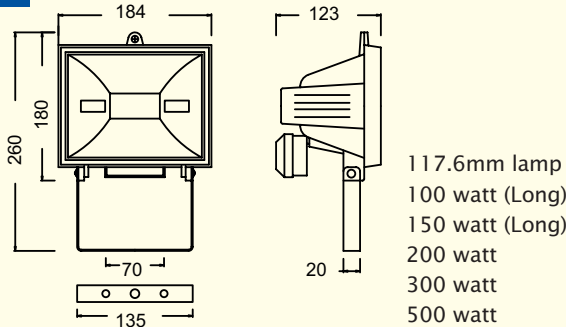
D1500 MOUNTED AT 8 METRES  
 AIMING ANGLE 60°  
 LAMP LUMENS 33000  
 LLF 0.8 H = MOUNTING HEIGHT

Height	Multiplier
12	0.44
10	0.64
8	1.00
6	1.78
5	2.56

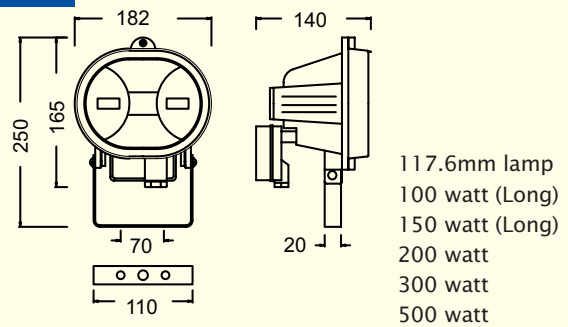


TUNGSTEN HALOGEN FLOODLIGHT

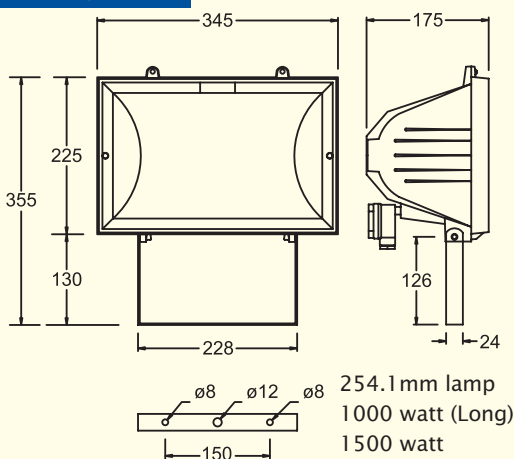
### D500



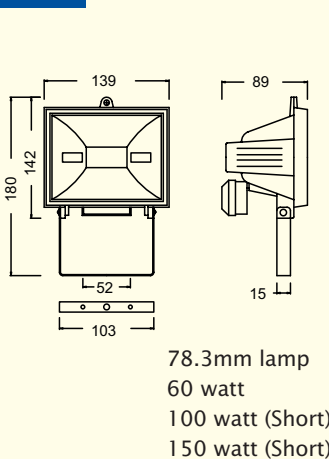
### DR500



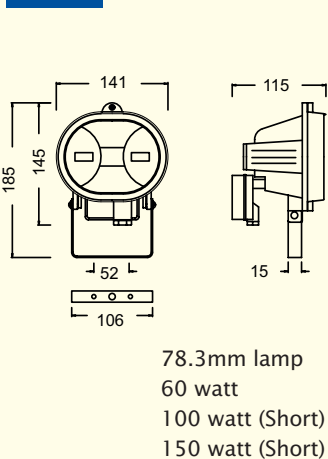
### D1000 / D1500



### D150



### DR150



**AUSTRALIA ALL STATES** Tel: 1300851001 **INDONESIA JAKARTA** Tel: +62 (21) 6904933 Fax: +62 (21) 6906987

**MALAYSIA KUALA LUMPUR** Tel: +60 (3) 5634348 Fax: +60 (3) 5634352 **PENANG** Tel: +60 (4) 5070580

Fax: +60 (4) 5070968 **SINGAPORE** Tel: +65 6742511 Fax: +65 6745828 **SOUTH PACIFIC ISLANDS**

**BRISBANE** Tel: +61 (7) 38211315 Fax: +61 (7) 38211315 **THAILAND BANGKOK** Tel: +66 (2) 3825129

Fax: +66 (2) 3825128 **VIETNAM HOCHIMINH CITY** Tel: +84 8655011 Fax: +84 8622855

**Distributors in:** Bangladesh, Brunie, Fiji, Papua New Guinea, Sri Lanka

Lighting designs on request  
 IES files on request or available on Davis website

Website: [www.davislighting.com](http://www.davislighting.com)

Email: [sales@davislighting.com](mailto:sales@davislighting.com)

Davis Lighting is a registered trade name

Davis Lighting reserves the right to change specifications and materials without prior notice.  
 Materials and components may vary from region to region.



"When your  
 business  
 depends  
 on light."