

TUFFLITE (IP65) WEATHERPROOF

CLEAR DIFFUSED



OPAL DIFFUSED



FEATURES

- Body constructed from UV stabilized nylon
- The lens is UV stabilized impact resistant polycarbonate in opal or clear
- IP65 degree of weatherproof protection
- Vandal resistant
- Insect proof
- One piece flow moulded expanded polyurethane gasket
- Direct surface mounting
- White powder coated metal gear tray
- Available in single 18 watt T8 linear fluorescent or 36 watt (TC-L) compact fluorescent
- Compact fluorescent model fitted with 2G11 base

APPLICATION

- Garages
- Boat sheds
- Tool sheds
- Pergolas
- Carports
- Salt air environment

CLEAR DIFFUSED

TL118C 1/18w
TL136PLC 1/36w PL

OPAL DIFFUSED

TL118O 1/18w
TL136PLO 1/36w PL



TUFFLITE (IP65) WEATHERPROOF

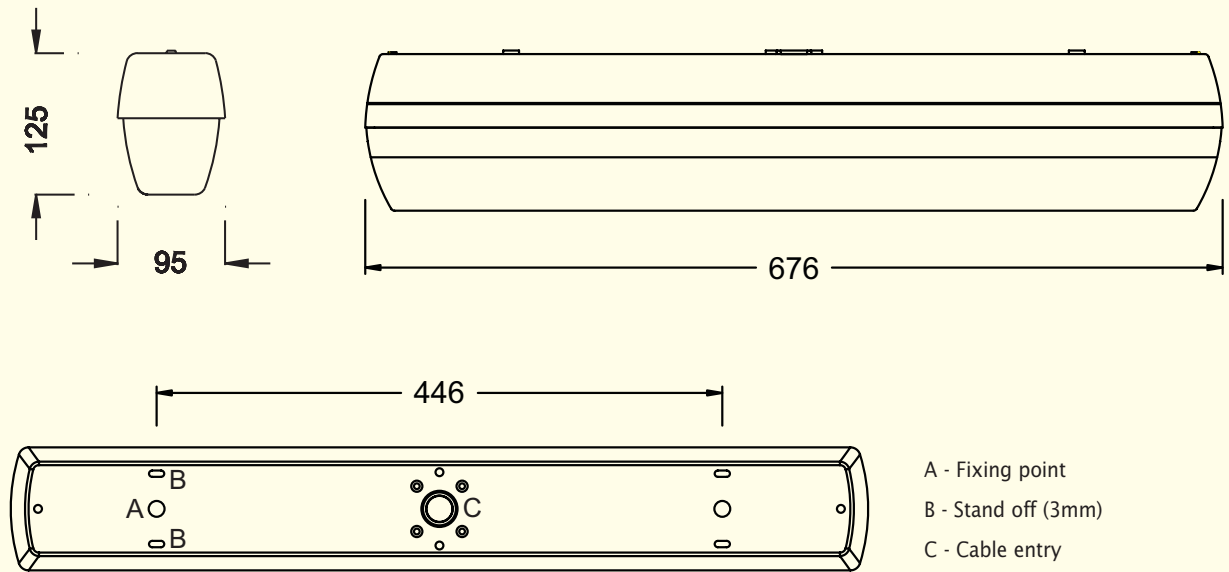
003F

Manufactured to standards – IEC60598.1
IEC60598.2.1
CISPR15
EMC Compliant Supplier Code N1562 (Aust)



“When your
business
depends
on light.”

TUFFLITE (IP65) WEATHERPROOF



- Multiple cable entry points (2x side, 2x end - D - and 1x rear - E)
- All entries left blank to maintain IP integrity

AUSTRALIA ALL STATES Tel: 1300851001 **INDONESIA JAKARTA** Tel: +62 (21) 6904933 Fax: +62 (21) 6906987

MALAYSIA KUALA LUMPUR Tel: +60 (3) 5634348 Fax: +60 (3) 5634352 **PENANG** Tel: +60 (4) 5070580 Fax: +60 (4) 5070968

SINGAPORE Tel: +65 6742511 Fax: +65 6745828 **SOUTH PACIFIC ISLANDS BRISBANE** Tel: +61 (7) 38211315 Fax: +61 (7) 38211315

THAILAND BANGKOK Tel: +66 (2) 3825129 Fax: +66 (2) 3825128 **VIETNAM HOCHIMINH CITY** Tel: +84 8655011 Fax: +84 8622855

Distributors in: Bangladesh, Brunie, Fiji, Papua New Guinea, Sri Lanka

Lighting designs on request
IES files on request or available on Davis website

Website: www.davislighting.com

Email: sales@davislighting.com

Davis Lighting is a registered trade name

Davis Lighting reserves the right to change specifications and materials without prior notice.
Materials and components may vary from region to region.



*“When your
business
depends
on light.”*