

BATTENS

TRIANGLE BATTEN SERIES

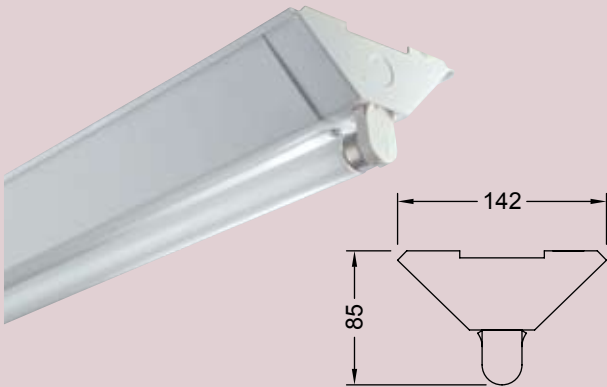
The triangle batten is a surface mounted luminaire, suitable for end-to-end mounting. It is available with white powder coated, or high grade silver mirror sides. The clip-on gear tray provides easy maintenance.



Triangle Batten

Single tube with white powder coated sides

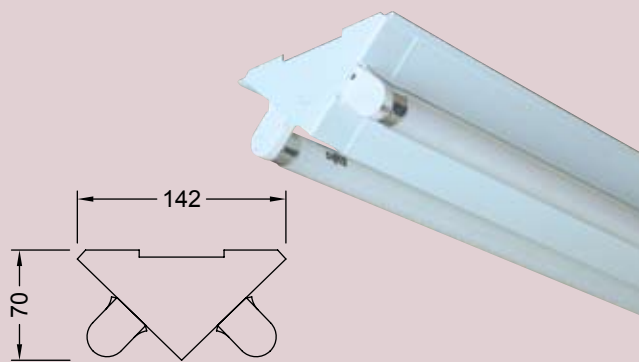
LPT118	1/18w	615mm
LPT136	1/36w	1225mm



Triangle Batten

Twin tube with white powder coated sides

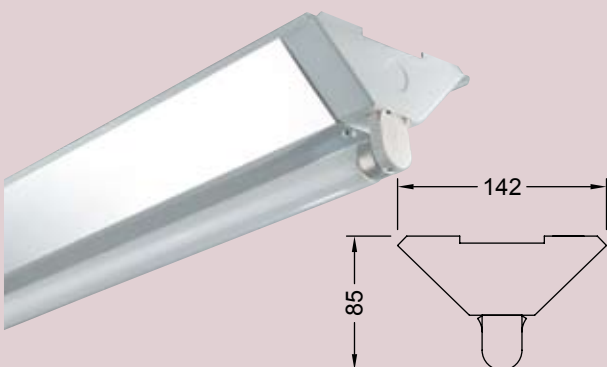
LPT218	2/18w	615mm
LPT236	2/36w	1225mm



Triangle Batten

Single tube with specular aluminium sides

LPTM118	1/18w	615mm
LPTM136	1/36w	1225mm



Triangle Batten

Twin tube with specular aluminium sides

LPTM218	2/18w	615mm
LPTM236	2/36w	1225mm

