

DOWNLIGHTS (HID)



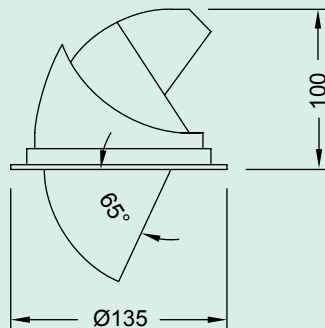
SHOPFITTER HID DOWNLIGHTS

High efficiency recessed adjustable downlights available in round or square housing. The round is suitable for 20/35W G8.5 or 70/150W G12 single ended metal halide lamps, and the square is suitable for 70/150W double ended metal halide lamps. The housing is powder coated high-pressure die cast aluminium with a high purity, precise, optically designed aluminium reflector. The lamp is enclosed by a tempered glass UV filter making this the ideal downlight for all facets of wall washing, accent lighting, task lighting and general lighting. Supplied standard with electronic control gear, will assist with ECOSmart building design and accreditation.

RECESSED MOUNTED

Capella 100mm (4") Metal Halide Downlight

- CP20MH 20w MH
- CP35MH 35w MH
- Cut out size \varnothing 122mm

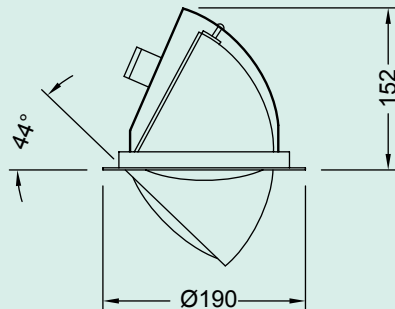


Lamp holder G8.5

Dione 175mm (7") Metal Halide Downlight



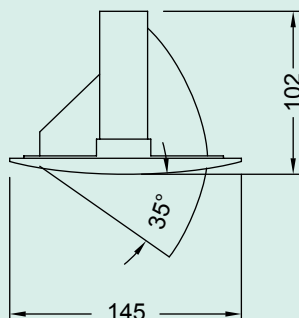
Lamp holder G12



- DN70MH 70w MH
- DN150MH 150w MH
- Cut out size \varnothing 175mm

Tania

- TN70MH 70w MH
- TN150MH 150w MH
- Cut out size 215mm x 125mm



Lamp holder RX7S