

DOWNLIGHTS

Davis Lighting provides high quality versatile downlighting at a price and performance levels to meet a wide range of budgets. The use of precise, optically designed reflectors provide excellent glare control and good light output, catering for all facets of wall washing, accent lighting, task lighting and general lighting. Our downlight mounting arrangements allow for consistently fast installation every time.

SHERATAN COMPACT FLUORESCENT DOWNLIGHTS

The Sheratan is a compact fluorescent recessed mounted range of downlight that are available in both 150mm & 200mm models. There are four (4) reflector styles. Open Bottom, Drop Glass, Recessed Glass, and Cross blade. The Recessed Glass model is IP44 rated which makes it suitable for bathrooms. The reflectors are available in either matt or specular finish. The downlights are designed for lamps to be mounted in the horizontal position. The lamps are TC-D type when used with conventional control gear & TC-DE when used with electronic control gear. The downlights may be supplied for hard wiring or fitted with a flex & plug. Both 150mm & 200mm diameter models have three (3) ceiling fixing brackets to ensure no movement of the downlight after installation. The fixing clips are stainless steel.

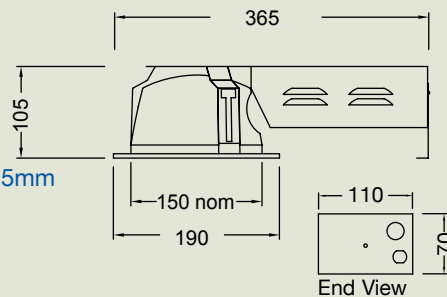
RECESSED MOUNTED

150mm (6") Open Downlight

x designates reflector type (s) specular or (m) matt.

- SHS113PLx** 1/13w TC-D
- SHS118PLx** 1/18w TC-D
- SHS213PLx** 2/13w TC-D
- SHS218PLx** 2/18w TC-D

Cut out size Ø 175mm

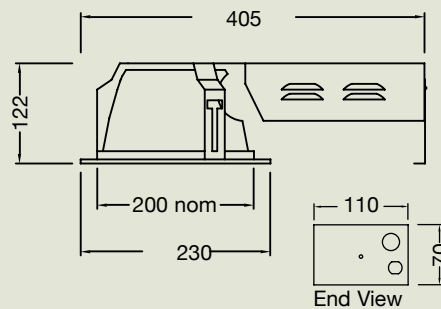


200mm (8") Open Downlight

x designates reflector type (s) specular or (m) matt.

- SHL118PLx** 1/18w TC-D
- SHL126PLx** 1/26w TC-D
- SHL218PLx** 2/18w TC-D
- SHL226PLx** 2/26w TC-D

Cut out size Ø 210mm



DOWNLIGHTS

SHERATAN COMPACT FLUORESCENT DOWNLIGHTS *continued*

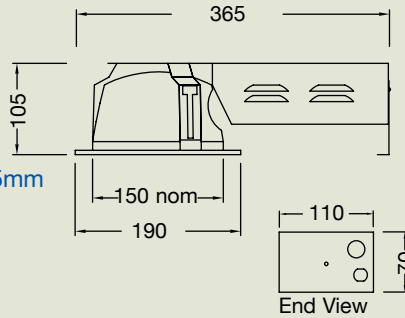
RECESSED MOUNTED

150mm (6") Drop Glass Downlight

x designates reflector type (s) specular or (m) matt.

- SHS113PLDGx** 1/13w TC-D
- SHS118PLDGx** 1/18w TC-D
- SHS213PLDGx** 2/13w TC-D
- SHS218PLDGx** 2/18w TC-D

Cut out size Ø 175mm

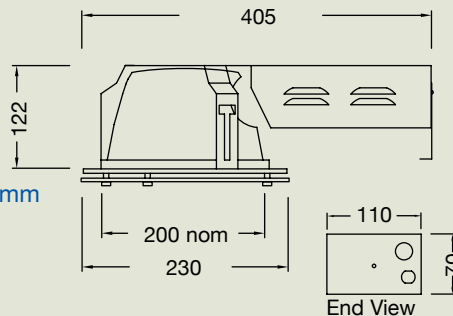


200mm (8") Drop Glass Downlight

x designates reflector type (s) specular or (m) matt.

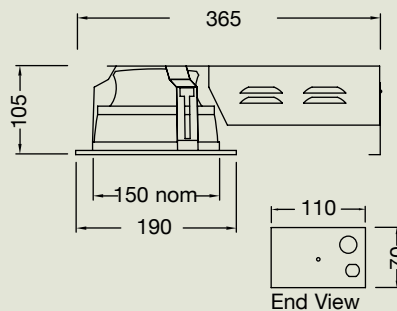
- SHL118PLDGx** 1/18w TC-D
- SHL126PLDGx** 1/26w TC-D
- SHL218PLDGx** 2/18w TC-D
- SHL226PLDGx** 2/26w TC-D

Cut out size Ø 210mm



150mm (6") Recessed Glass Downlight (IP44 trim only)

x designates reflector type (s) specular or (m) matt.



- SHS113PLRGx** 1/13w TC-D
- SHS118PLRGx** 1/18w TC-D
- SHS213PLRGx** 2/13w TC-D
- SHS218PLRGx** 2/18w TC-D

Cut out size Ø 175mm



Compatible - see page 7 for options

Conventional control gear: Lamps: TC-D, 13 watt G24d1 base
 18 watt G24d2 base. 26 watt G24d3 base
 Electronic control gear: TC-DE lamp, 13 watt G24q1 base
 18 watt G24q2 base. 26 watt G24q3 base

DOWNLIGHTS

SHERATAN COMPACT FLUORESCENT DOWNLIGHTS continued

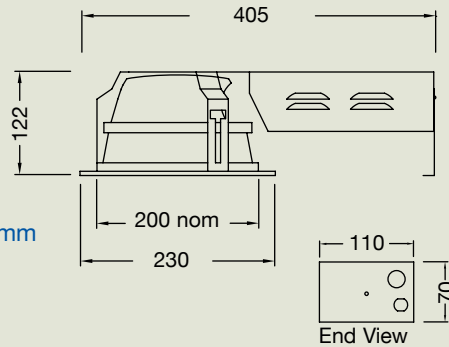
RECESSED MOUNTED

200mm (8") Recessed Glass Downlight (IP44 trim only)

x designates reflector type (s) specular or (m) matt.

- SHL118PLRGx** 1/18w TC-D
- SHL126PLRGx** 1/26w TC-D
- SHL218PLRGx** 2/18w TC-D
- SHL226PLRGx** 2/26w TC-D

Cut out size Ø 210mm

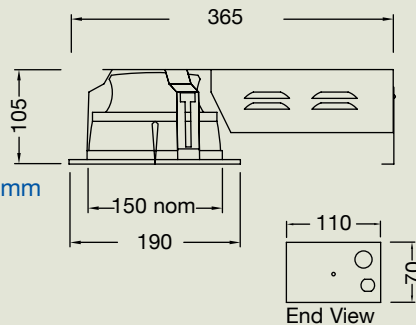


150mm (6") Cross Blade Downlight

x designates reflector type (s) specular or (m) matt.

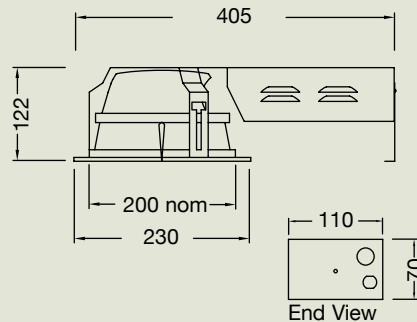
- SHS113PLCBx** 1/13w TC-D
- SHS118PLCBx** 1/18w TC-D
- SHS213PLCBx** 2/13w TC-D
- SHS218PLCBx** 2/18w TC-D

Cut out size Ø 175mm



200mm (8") Cross Blade Downlight

x designates reflector type (s) specular or (m) matt.



- SHL118PLCBx** 1/18w TC-D
- SHL126PLCBx** 1/26w TC-D
- SHL218PLCBx** 2/18w TC-D
- SHL226PLCBx** 2/26w TC-D

Cut out size Ø 210mm