

# PANTHERA PTH

Urban Lighting / Post Top Light

 **DAVIS**LIGHTING

**PTH60-R74D05Z04**

## Features

Classic square design post top fitting  
Wide range of power and lighting distribution available  
Robust high pressure die-casted aluminium construction  
High performance LED light source  
IP66 & IK09 rated

## Applications

Urban lighting  
Building surrounds  
Area lighting  
Parks and Pathways

## Options

0-10V, PWM, Resistor  
DALI  
Type IV & V distribution

## Standards

Manufactured under ISO 9001:2015 to standards  
IEC 60598-1  
IEC 60598-2-3  
IEC 62722  
IEC CISPR 15



# PANTHERA PTH

Urban Lighting / Post Top Light



DAVISLIGHTING

## Specifications

Model	PTH60-R74D05Z04
Body Colour	Grey
Nominal Power (W)	60
Input Voltage (V)	220-240
Frequency (Hz)	50/60
Luminaire Flux (lm)	6000
Luminaire Efficacy (lm/W)	100
CRI (Ra)	>70
Power Factor	>0.9
SDCM	≤5
CCT (K)	4000
Luminaire Rated Life (hr)	>50000
Operating Temp. (°C)	-35 to 50
Weight (kg)	10
IP Rating	IP66
IK Rating	IK09

## Packaging Details

Model	PTH60-R74D05Z04
Product Carton Qty per box (pc)	1
Product Carton Dimension (mm)	410 x 410 x 635
Product Carton Weight (kg)	11.3
Master Carton Qty per box (pc)	1
Master Carton Dimension (mm)	410 x 410 x 635
Master Carton Weight (kg)	11.3

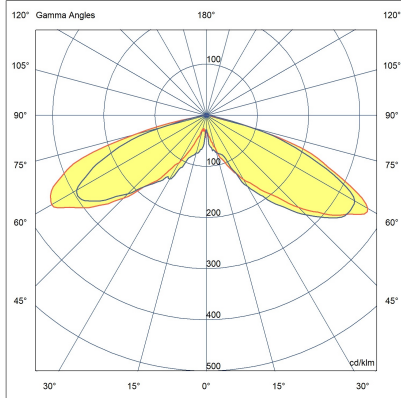
# PANTHERA PTH

Urban Lighting / Post Top Light

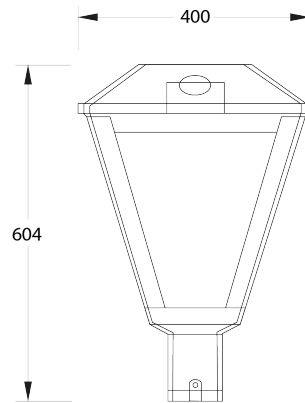


DAVISLIGHTING

## Lighting Data



## Dimensions



davislighting.com davislighting.com.au

All photometric and electrical data published are of  $\pm 10\%$  tolerance. Characteristics and specifications may change without notice. All electrical installations / connections should be carried out by a suitably qualified person. Application images are indicative only and may not contain actual Davis product. The information contained in this publication is typical and must not be interpreted as a guarantee of individual product performance.

Generated on: 14-09-2022  
Copyright © 2023 Davis Lighting. All Rights Reserved.