

Brighton

Features

Smooth reflector / opalised lens (DLO)
OR Faceted reflector / clear lens (DLF)
Aluminium construction
Long-lasting powdercoat finish
Low profile design
Remote LED driver
Dimmable and non-dimmable models
High-performance 35,000 hr LEDs
1.5 m supply flex and 2-pin plug
Quick and easy installation
IP54 below ceiling, IP20 above

Applications

Retail & commercial outlets
Bars, restaurants
Galleries, display areas
Boutiques
Many domestic applications

Options

CCT: 3000K, 4000K, 6000K
CRI > 80, > 90
40° and 60° beam angles

Standards

Manufactured under ISO 9001:2015 to standards
IES/AS/NZS 60598.1
IEC/AS/NZS 60598.2.1
IEC/AS/NZS 60598.2.2
IEC/AS/NZS CISPR 15

DLO



DLF



Product Code Key

Model	Series	Power	Colour Temp.	Dimming	Trim Colour	Beam Angle
DLO = SMD	533 = Ø110	9W = 9W	2K = 2700K , CRI = 80	D = dimming	1 = White	B4 = 40°
DLF = COB	534 = Ø140	12W = 12W	3K = 3000K , CRI = 80	DD = DALI	2 = Silver	B6 = 60°
	535 = Ø162	.	4K = 4000K , CRI = 80	(omit if not required)	3 = Black	(DLF only)
	536 = Ø193	.	6K = 6000K , CRI = 80			(all DLO models 90°)
	538 = Ø230	.	29 = 2700K , CRI = 90			
		.	39 = 3000K , CRI = 90			
		30W = 30W	49 = 4000K , CRI = 90			
		33W = 33W	69 = 6000K , CRI = 90			

E.g. DLF53312W4K1B4 = Faceted reflector 110mm 12W 4000K non-dimming white 40° beam angle

Specifications

DLO533 (Ø110 mm)

Model	Cutout (mm)	Power (W)	Colour Temp. (K)	Luminous Flux (lm)	Efficacy (lm/W)	Power Factor	CRI	LED Life (hr)	Beam Angle
DLO5339W3K1			3000	581	64				
DLO5339W4K1	Ø90	9	4000	635	70	> 0.90	> 80	35,000	90°
DLO5339W6K1			6000	603	67				
DLO53312W3K1			3000	775	65				
DLO53312W4K1	Ø90	12	4000	848	71	> 0.90	> 80	35,000	90°
DLO53312W6K1			6000	804	67				

All models 200 - 240 VAC 50 / 60 Hz

Lumen output ± 5%

DLF533 (Ø110 mm)

Model	Cutout (mm)	Power (W)	Colour Temp. (K)	Luminous Flux (lm)	Efficacy (lm/W)	Power Factor	CRI	LED Life (hr)	Beam Angle
DLF5339W2K1B4			2700	500	55				
DLF5339W3K1B4	Ø90	9	3000	535	59	> 0.90	> 80	35,000	40°
DLF5339W4K1B4			4000	526	58				
DLF5339W5K1B4			5000	577	64				
DLF5339W2K1B6			2700	500	55				
DLF5339W3K1B6	Ø90	9	3000	535	59	> 0.90	> 80	35,000	60°
DLF5339W4K1B6			4000	526	58				
DLF5339W5K1B6			5000	577	64				
DLF53312W2K1B4			2700	667	56				
DLF53312W3K1B4	Ø90	12	3000	714	59	> 0.90	> 80	35,000	40°
DLF53312W4K1B4			4000	702	58				
DLF53312W5K1B4			5000	769	64				
DLF53312W2K1B6			2700	667	56				
DLF53312W3K1B6	Ø90	12	3000	714	59	> 0.90	> 80	35,000	60°
DLF53312W4K1B6			4000	702	58				
DLF53312W5K1B6			5000	769	64				

All models 200 - 240 VAC 50 / 60 Hz

Lumen output ± 5%

DLO534 (Ø140 mm)

Model	Cutout (mm)	Power (W)	Colour Temp. (K)	Luminous Flux (lm)	Efficacy (lm/W)	Power Factor	CRI	LED Life (hr)	Beam Angle
DLO53412W3K1			3000	801	67				
DLO53412W4K1	Ø125	12	4000	880	73	> 0.90	> 80	35,000	90°
DLO53412W6K1			6000	844	70				
DLO53415W3K1			3000	1001	67				
DLO53415W4K1	Ø125	15	4000	1100	73	> 0.90	> 80	35,000	90°
DLO53415W6K1			6000	1054	70				

All models 200 - 240 VAC 50 / 60 Hz
Lumen output ± 5%

DLF534 (Ø140 mm)

Model	Cutout (mm)	Power (W)	Colour Temp. (K)	Luminous Flux (lm)	Efficacy (lm/W)	Power Factor	CRI	LED Life (hr)	Beam Angle
DLF53412W2K1B4			2700	806	67				
DLF53412W3K1B4	Ø125	12	3000	836	70	> 0.90	> 80	35,000	40°
DLF53412W4K1B4			4000	848	71				
DLF53412W5K1B4			5000	923	77				
DLF53412W2K1B6			2700	806	67				
DLF53412W3K1B6	Ø125	12	3000	836	70	> 0.90	> 80	35,000	60°
DLF53412W4K1B6			4000	848	71				
DLF53412W5K1B6			5000	923	77				
DLF53415W2K1B4			2700	1008	67				
DLF53415W3K1B4	Ø125	15	3000	1045	70	> 0.90	> 80	35,000	40°
DLF53415W4K1B4			4000	1060	71				
DLF53415W5K1B4			5000	1154	77				
DLF53415W2K1B6			2700	1008	67				
DLF53415W3K1B6	Ø125	15	3000	1045	70	> 0.90	> 80	35,000	60°
DLF53415W4K1B6			4000	1060	71				
DLF53415W5K1B6			5000	1154	77				

All models 200 - 240 VAC 50 / 60 Hz
Lumen output ± 5%

DLO535 (Ø162 mm)

Model	Cutout (mm)	Power (W)	Colour Temp. (K)	Luminous Flux (lm)	Efficacy (lm/W)	Power Factor	CRI	LED Life (hr)	Beam Angle
DLO53515W3K1			3000	1026	68				
DLO53515W4K1	Ø145	15	4000	1116	74	> 0.90	> 80	35,000	90°
DLO53515W6K1			6000	1083	72				
DLO53518W3K1			3000	1231	68				
DLO53518W4K1	Ø145	18	4000	1340	74	> 0.90	> 80	35,000	90°
DLO53518W6K1			6000	2222	72				

All models 200 - 240 VAC 50 / 60 Hz
Lumen output ± 5%

DLF535 (Ø162 mm)

Model	Cutout (mm)	Power (W)	Colour Temp. (K)	Luminous Flux (lm)	Efficacy (lm/W)	Power Factor	CRI	LED Life (hr)	Beam Angle
DLF53522W2K1B4			2700	1513	69				
DLF53522W3K1B4	Ø145	22	3000	1515	69	> 0.90	> 80	35,000	40°
DLF53522W4K1B4			4000	1584	72				
DLF53522W5K1B4			5000	1693	77				
DLF53522W2K1B6			2700	1513	69				
DLF53522W3K1B6	Ø145	22	3000	1515	69	> 0.90	> 80	35,000	60°
DLF53522W4K1B6			4000	1584	72				
DLF53522W5K1B6			5000	1693	77				
DLF53528W2K1B6			2700	1926	69				
DLF53528W3K1B6	Ø145	28	3000	1928	69	> 0.90	> 80	35,000	40°
DLF53528W4K1B6			4000	2016	72				
DLF53528W5K1B6			5000	2155	77				
DLF53528W2K1B6			2700	1926	69				
DLF53528W3K1B6	Ø145	28	3000	1928	69	> 0.90	> 80	35,000	60°
DLF53528W4K1B6			4000	2016	72				
DLF53528W5K1B6			5000	2155	77				
DLF53530W2K1B4			2700	2064	69				
DLF53530W3K1B4	Ø145	30	3000	2065	69	> 0.90	> 80	35,000	40°
DLF53530W4K1B4			4000	2160	72				
DLF53530W5K1B4			5000	2308	77				
DLF53530W2K1B6			2700	2064	69				
DLF53530W3K1B6	Ø145	30	3000	2065	69	> 0.90	> 80	35,000	60°
DLF53530W4K1B6			4000	2160	72				
DLF53530W5K1B6			5000	2308	77				

All models 200 - 240 VAC 50 / 60 Hz
Lumen output ± 5%

DLO536 (Ø193 mm)

Model	Cutout (mm)	Power (W)	Colour Temp. (K)	Luminous Flux (lm)	Efficacy (lm/W)	Power Factor	CRI	LED Life (hr)	Beam Angle
DLO53615W3K1			3000	1052	70				
DLO53615W4K1	Ø165	15	4000	1134	76	> 0.90	> 80	35,000	90°
DLO53615W6K1			6000	1111	74				
DLO53618W3K1			3000	1262	70				
DLO53618W4K1	Ø165	18	4000	1361	76	> 0.90	> 80	35,000	90°
DLO53618W6K1			6000	1334	74				
DLO53623W3K1			3000	1613	70				
DLO53623W4K1	Ø165	23	4000	1739	76	> 0.90	> 80	35,000	90°
DLO53623W6K1			6000	1704	74				

All models 200 - 240 VAC 50 / 60 Hz
Lumen output ± 5%

DLF536 (Ø193 mm)

Model	Cutout (mm)	Power (W)	Colour Temp. (K)	Luminous Flux (lm)	Efficacy (lm/W)	Power Factor	CRI	LED Life (hr)	Beam Angle
DLF53622W2K1B4	Ø165	22	2700	1549	70	> 0.90	> 80	35,000	40°
DLF53622W3K1B4			3000	1496	68				
DLF53622W4K1B4			4000	1614	73				
DLF53622W5K1B4			5000	1703	77				
DLF53622W2K1B6	Ø165	22	2700	1549	70	> 0.90	> 80	35,000	60°
DLF53622W3K1B6			3000	1496	68				
DLF53622W4K1B6			4000	1614	73				
DLF53622W5K1B6			5000	1703	77				
DLF53628W2K1B6	Ø165	28	2700	1971	70	> 0.90	> 80	35,000	40°
DLF53628W3K1B6			3000	1904	68				
DLF53628W4K1B6			4000	2053	73				
DLF53628W5K1B6			5000	2168	77				
DLF53628W2K1B6	Ø165	28	2700	1971	70	> 0.90	> 80	35,000	60°
DLF53628W3K1B6			3000	1904	68				
DLF53628W4K1B6			4000	2053	73				
DLF53628W5K1B6			5000	2168	77				
DLF53630W2K1B4	Ø165	30	2700	2112	70	> 0.90	> 80	35,000	40°
DLF53630W3K1B4			3000	2040	68				
DLF53630W4K1B4			4000	2200	73				
DLF53630W5K1B4			5000	2323	77				
DLF53630W2K1B6	Ø165	30	2700	2112	70	> 0.90	> 80	35,000	60°
DLF53630W3K1B6			3000	2040	68				
DLF53630W4K1B6			4000	2200	73				
DLF53630W5K1B6			5000	2323	77				

All models 200 - 240 VAC 50 / 60 Hz
Lumen output ± 5%

DLO538 (Ø230 mm)

Model	Cutout (mm)	Power (W)	Colour Temp. (K)	Luminous Flux (lm)	Efficacy (lm/W)	Power Factor	CRI	LED Life (hr)	Beam Angle
DLO53818W3K1	Ø200	18	3000	1361	76	> 0.90	> 80	35,000	90°
DLO53818W4K1			4000	1474	82				
DLO53818W6K1			6000	1419	79				
DLO53823W3K1	Ø200	23	3000	1740	76	> 0.90	> 80	35,000	90°
DLO53823W4K1			4000	1883	82				
DLO53823W6K1			6000	1813	79				
DLO53829W3K1	Ø200	29	3000	2194	76	> 0.90	> 80	35,000	90°
DLO53829W4K1			4000	2375	82				
DLO53829W6K1			6000	2287	79				

All models 200 - 240 VAC 50 / 60 Hz
Lumen output ± 5%

DLF538 (Ø230 mm)

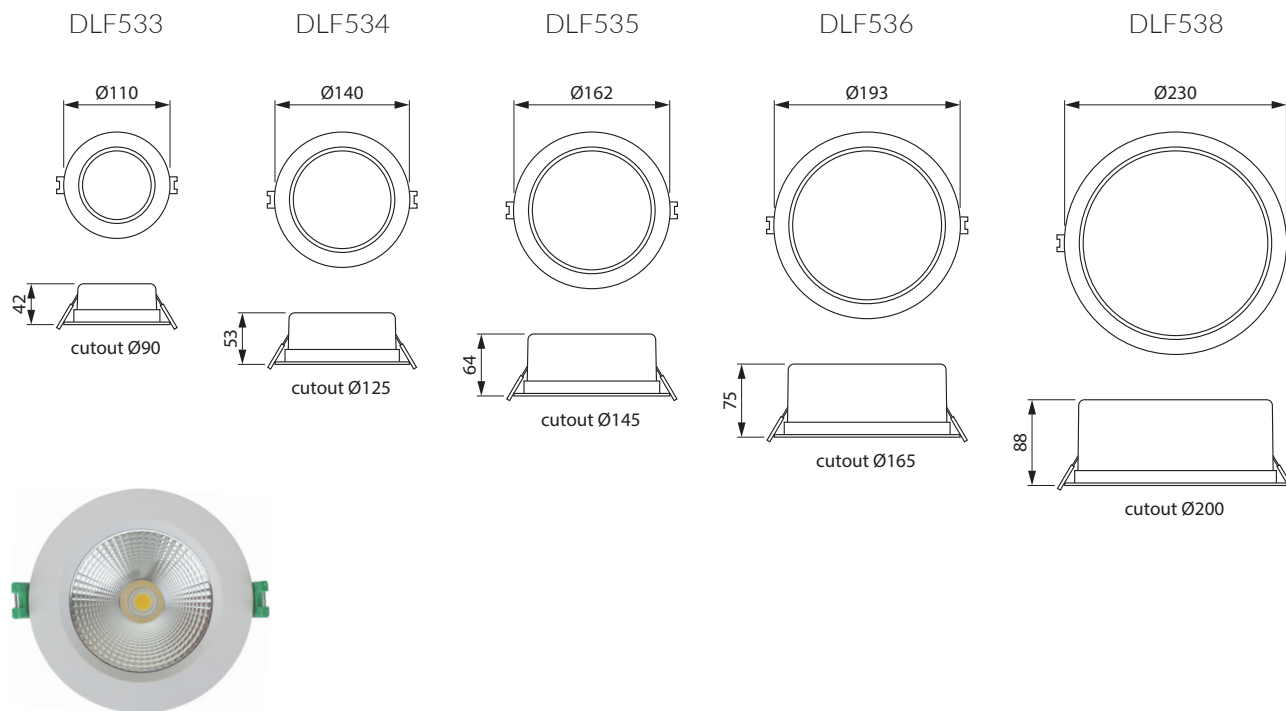
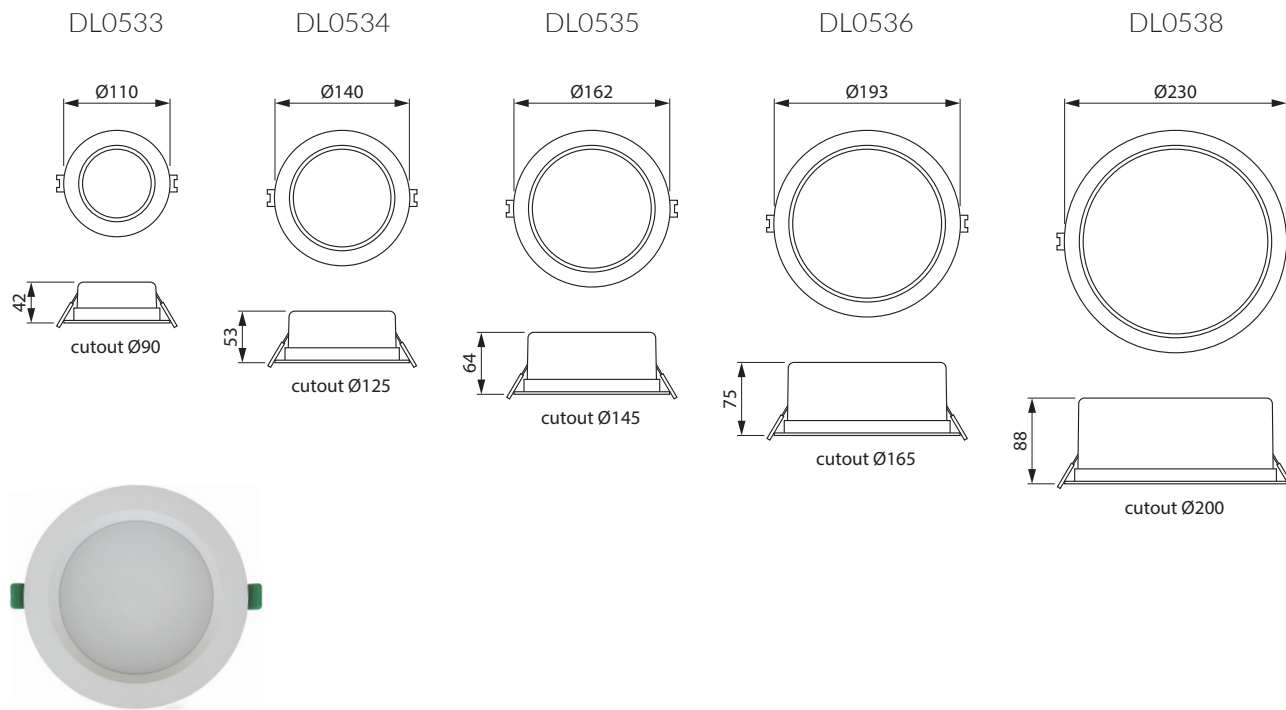
Model	Cutout (mm)	Power (W)	Colour Temp. (K)	Luminous Flux (lm)	Efficacy (lm/W)	Power Factor	CRI	LED Life (hr)	Beam Angle
DLF53828W2K1B4	Ø200	28	2700	2027	72	> 0.90	> 80	35,000	40°
DLF53828W3K1B4			3000	1963	70				
DLF53828W4K1B4			4000	2142	76				
DLF53828W5K1B4			5000	2314	82				
DLF53828W2K1B6			2700	2027	72				
DLF53828W3K1B6	Ø200	28	3000	1963	70	> 0.90	> 80	35,000	60°
DLF53828W4K1B6			4000	2142	76				
DLF53828W5K1B6			5000	2314	82				
DLF53830W2K1B6			2700	2172	72				
DLF53830W3K1B6	Ø200	30	3000	2103	70	> 0.90	> 80	35,000	40°
DLF53830W4K1B6			4000	2295	76				
DLF53830W5K1B6			5000	2479	82				
DLF53830W2K1B6	Ø200	30	2700	2172	72	> 0.90	> 80	35,000	60°
DLF53830W3K1B6			3000	2103	70				
DLF53830W4K1B6			4000	2295	76				
DLF53830W5K1B6			5000	2479	82				
DLF53833W2K1B4	Ø200	33	2700	2389	72	> 0.90	> 80	35,000	40°
DLF53833W3K1B4			3000	2314	70				
DLF53833W4K1B4			4000	2524	76				
DLF53833W5K1B4			5000	2727	82				
DLF53833W2K1B6	Ø200	33	2700	2389	72	> 0.90	> 80	35,000	60°
DLF53833W3K1B6			3000	2314	70				
DLF53833W4K1B6			4000	2524	76				
DLF53833W5K1B6			5000	2727	82				

All models 200 - 240 VAC 50 / 60 Hz
Lumen output ± 5%



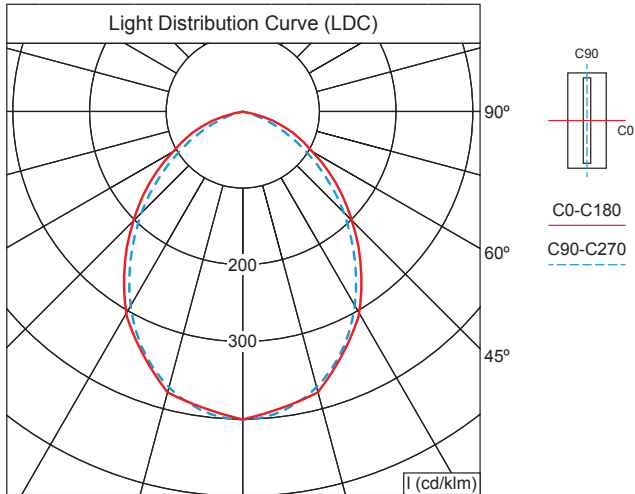
Brighton

Dimensions

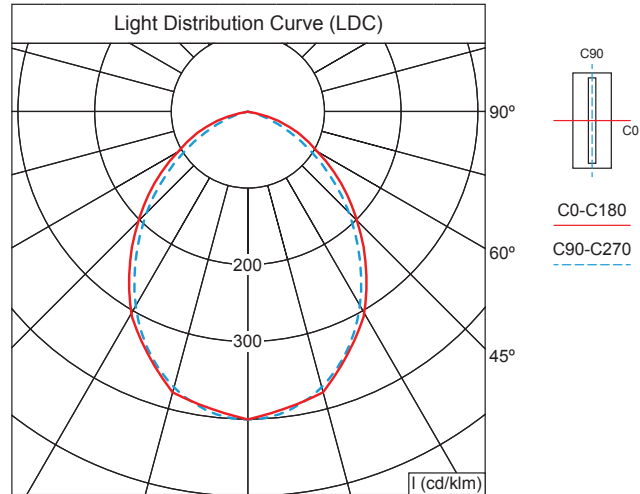


Lighting Data

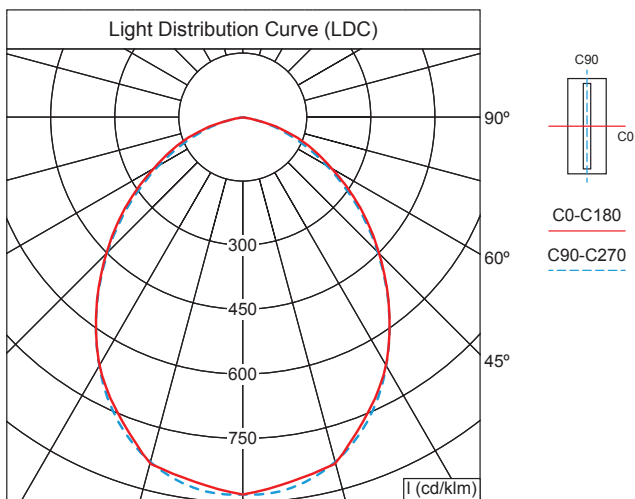
DLO53312W4K1 (90°)



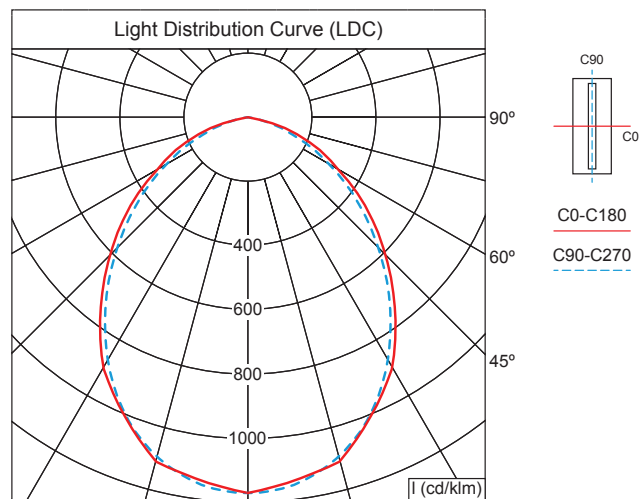
DLO53415W4K1 (90°)



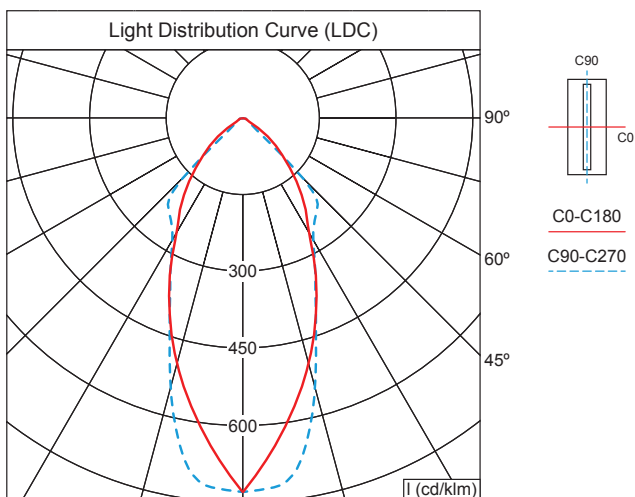
DLO53623W4K1 (90°)



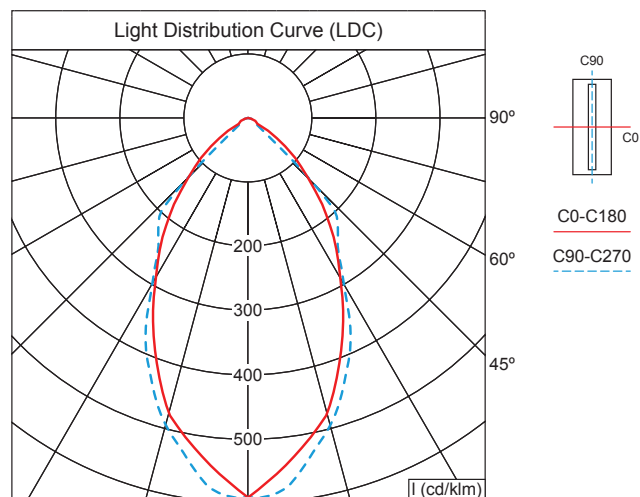
DLO53829W4K1 (90°)



DLF53312W4K1B4 (40°)

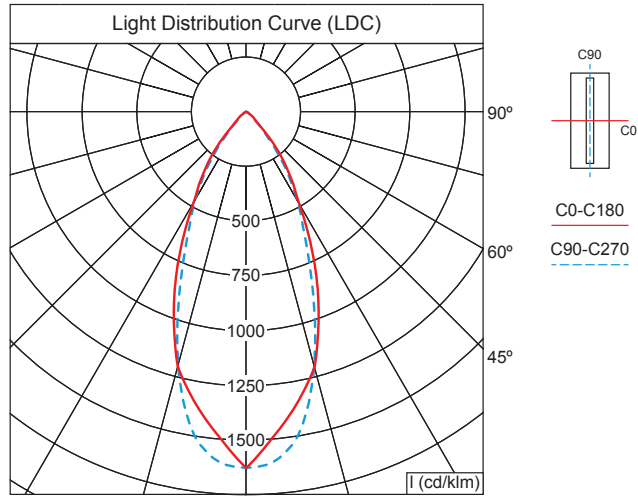


DLF53312W4K1B6 (60°)

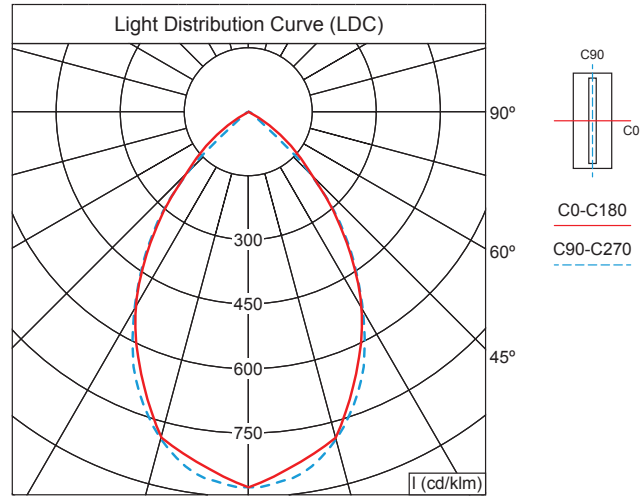


Brighton

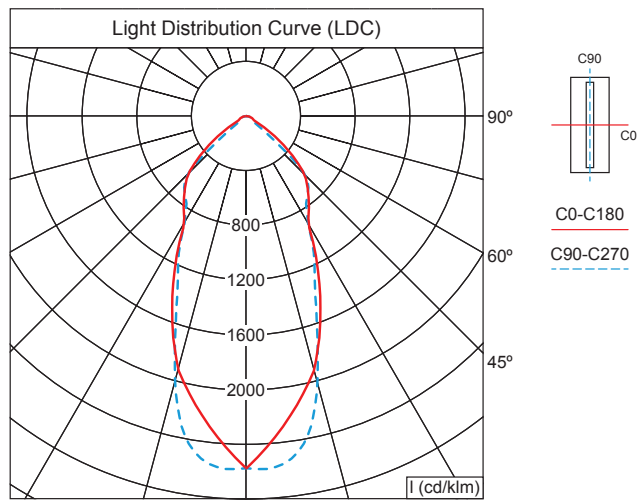
DLF53415W4K1B4 (40°)



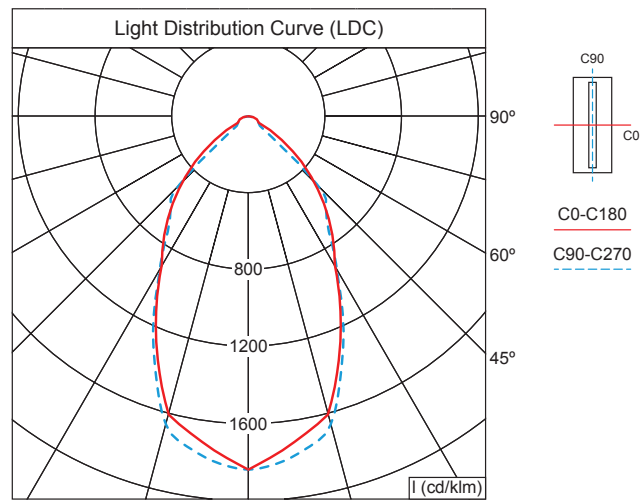
DLF53415W4K1B6 (60°)



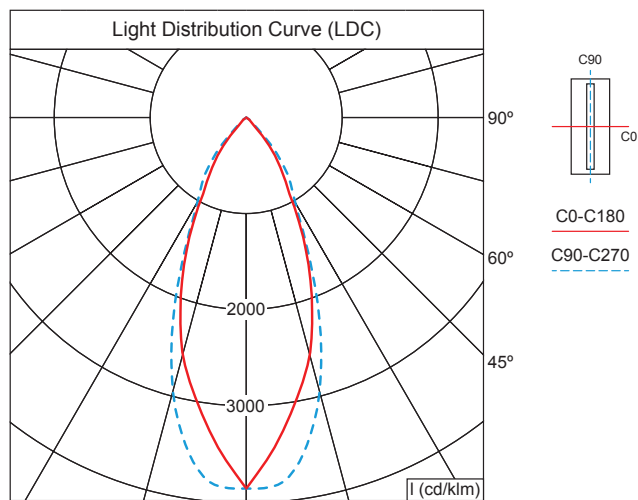
DLF53630W4K1B4 (40°)



DLF53630W4K1B6 (60°)



DLF53830W4K1B4 (40°)



DLF53830W4K1B6 (60°)

