



### Features

- Die-cast aluminium body
- Protective UV stabilised black or grey powder coat finish
- Low energy consumption
- Meanwell driver
- CCT 5000K
- CRI > 70
- Polycarbonate optical cover
- Rigid or slip-fitter mounting bracket (suit Ø60mm pole)
- Fast turn-on, near zero maintenance
- IP65 rating

### Applications

- Freight yards
- Car parks
- Street / road lighting
- Loading bays
- Building sites

### Options

- Full range of optic lenses
- 0 - 10V or DALI dimming
- CCT 4000K, 6500K
- CRI > 80
- Single-point emergency

### Standards

- Manufactured under ISO 9001:2015 to standards
- IEC/AS/NZS 60598.1
- IEC/AS/NZS 60598.2.1
- IEC/AS/NZS CISPR 15





### Product Code Key

Model	Power	Colour Temp.	Dimming	Colour	Lens Type
LFP	50W - 300W	4K = 4000K 5K = 5000K 7K = 6500K	DD = DALI DA = 1-10V (omit if not required)	03 = Black 06 = Grey	B03 = 30° x 30° B06 = 60° x 60° B09 = 90° x 90° T1 = 30° x 100° T2 = 50° x 140° T3 = 40° x 140° T4 = 30° x 140° T5 = 140° x 140°

e.g. LFP200W5K03B03 = Perth series 200W 5000K non-dimming black 30° x 30° lens

### Specifications

Model	LED Power (W)	System Power (W)	Colour Temp. (K)	Luminous Flux (lm)	Efficacy (lm/W)	Power Factor	CRI	LED Life (hr)	Working Temp. (° C)	Weight (kg)
LFP50W4K			4000							
LFP50W5K	50	55	5000	7100	142	0.90	> 70	50,000	-40 to +40	6.8
LFP50W7K			6500							
LFP75W4K			4000							
LFP75W5K	75	80	5000	9600	128	0.90	> 70	50,000	-40 to +40	6.8
LFP75W7K			6500							
LFP100W4K			4000							
LFP100W5K	100	110	5000	14,300	143	0.90	> 70	50,000	-40 to +40	8.2
LFP100W7K			6500							
LFP150LW4K			4000							
LFP150LW5K	150	165	5000	19,000	126	0.90	> 70	50,000	-40 to +40	8.2
LFP150LW7K			6500							
LFP150HW4K			4000							
LFP150HW5K	150	165	5000	21,400	142	0.90	> 70	50,000	-40 to +40	10.2
LFP150HW7K			6500							
LFP200W4K			4000							
LFP200W5K	200	220	5000	26,800	134	0.90	> 70	50,000	-40 to +40	10.2
LFP200W7K			6500							
LFP300W4K			4000							
LFP300W5K	300	330	5000	39,600	132	0.90	> 70	50,000	-40 to +40	12.8
LFP300W7K			6500							

All models 100 - 305 VAC 50 / 60 Hz



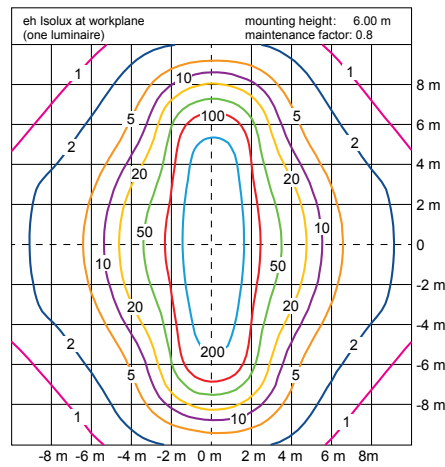
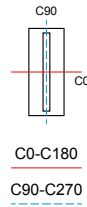
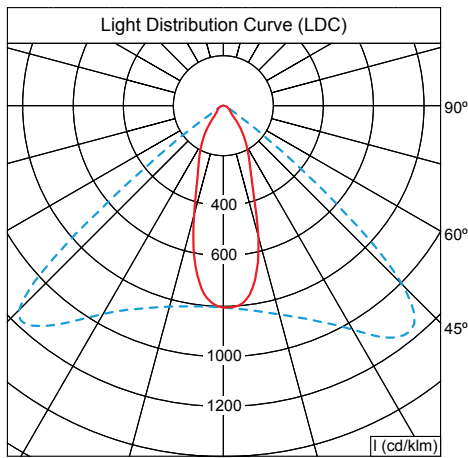
### Lighting Data

Lens Options

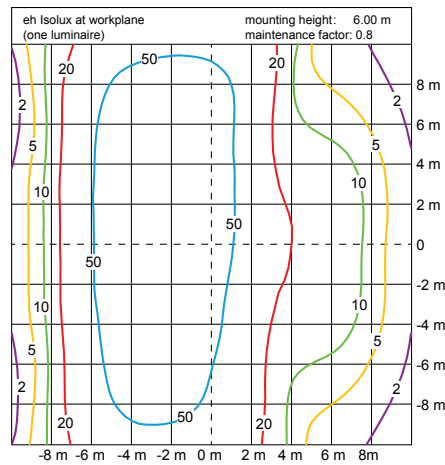
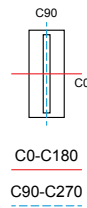
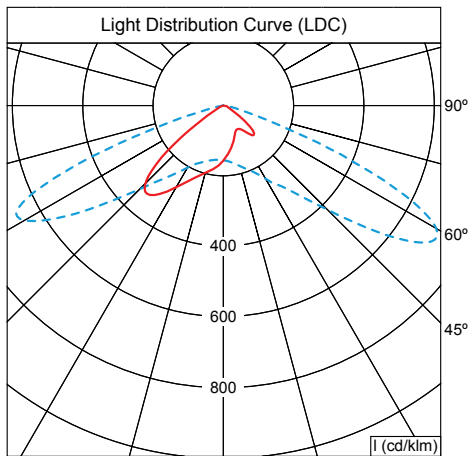
Symmetric	
B03	30° x 30°
B06	60° x 60°
B09	90° x 90°

Asymmetric	
T1	30° x 100°
T2	50° x 140°
T3	40° x 140°
T4	30° x 140°
T5	140° x 140°

T1 (30° x 100°)

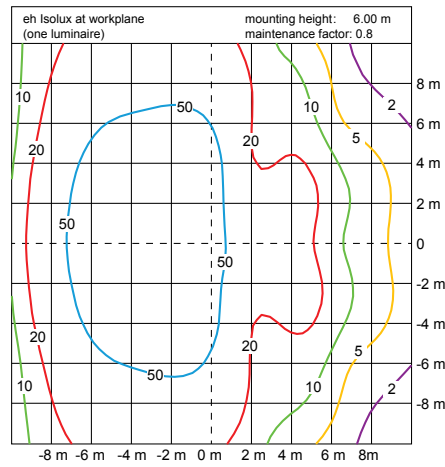
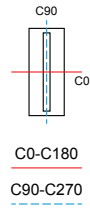
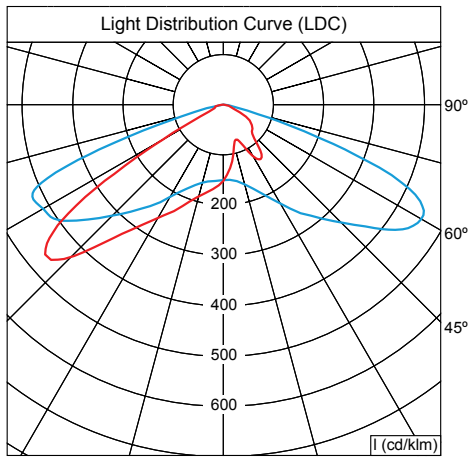


T2 (50° x 140°)

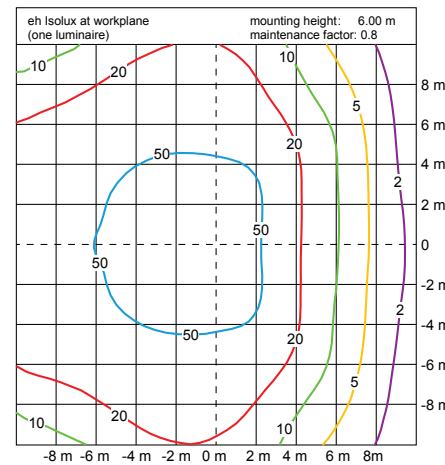
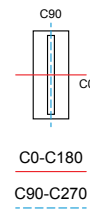
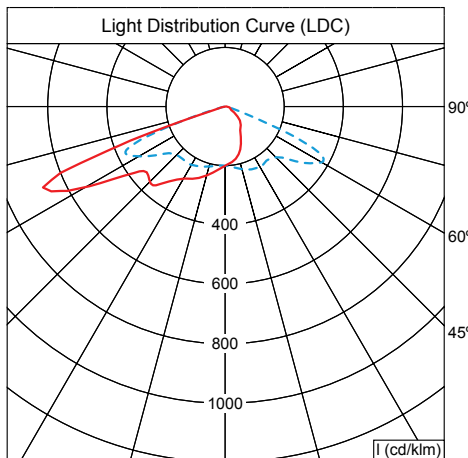




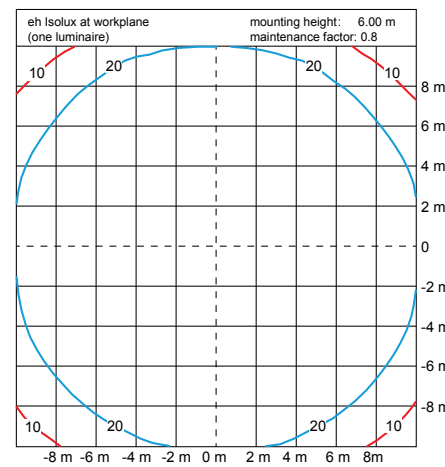
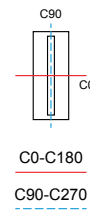
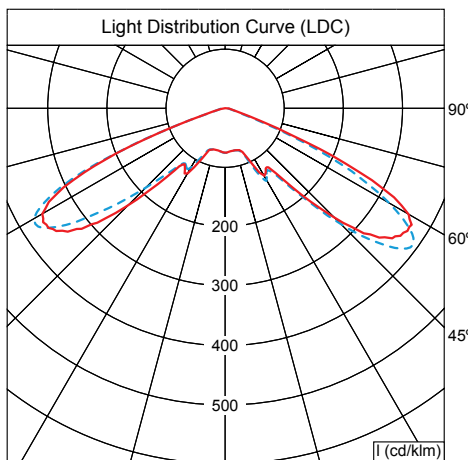
T3 (40° x 140°)



T4 (30° x 140°)



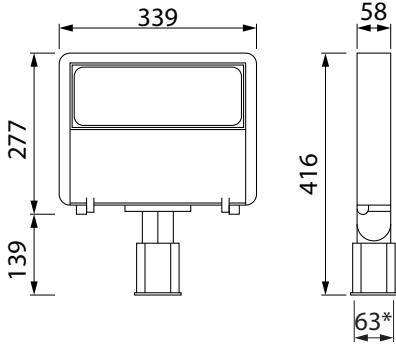
T5 (140° x 140°)



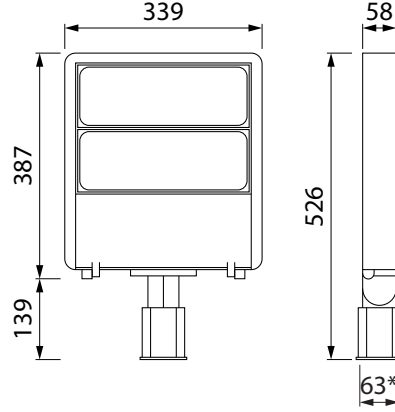


## Dimensions

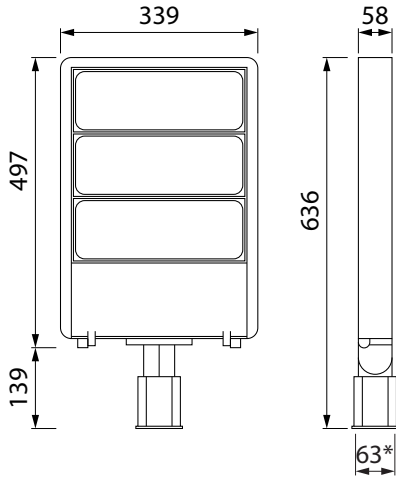
LFP50 / LFP75



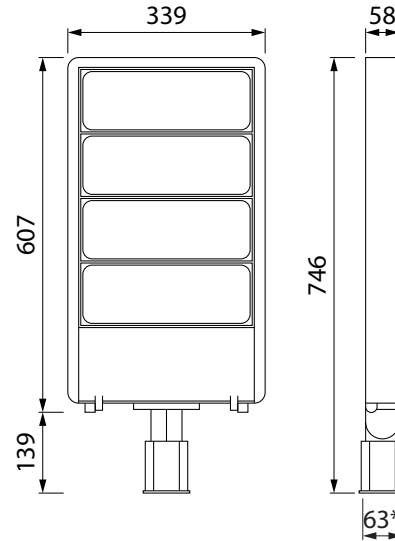
LFP100 / LFP150L



LFP150H / LFP200



LFP300



(\* suit Ø60mm pole)



Characteristics and specifications may change without notice. All electrical installations / connections should be carried out by a suitably qualified person. Application images are indicative only and may not contain actual Davis product. The information contained in this publication is typical and must not be interpreted as a guarantee of individual product performance.