

AIR HANDLING FRAME

Features

AHF kits provide a simple but effective means to expand the function of standard troffer and Panel Light luminaires by introducing air-handling capabilities into existing installations. 2-slot (600 mm) and 4-slot (1200 mm) models are available to suit 400 mm and 600 mm wide grids, and the simple installation process ensures a fast and painless retro-fit operation whatever the application.



AHF kits allow for easy access to the luminaire for maintenance or replacement, and the high quality long lasting white powdercoat finish will provide unprecedented protection for many years to come, with no visible fasteners to interrupt the smooth outward appearance.

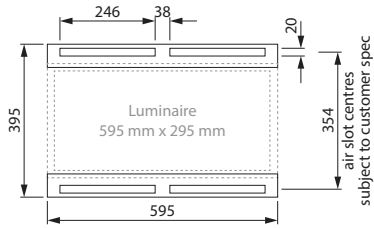
Comes with 3-year warranty.

Models

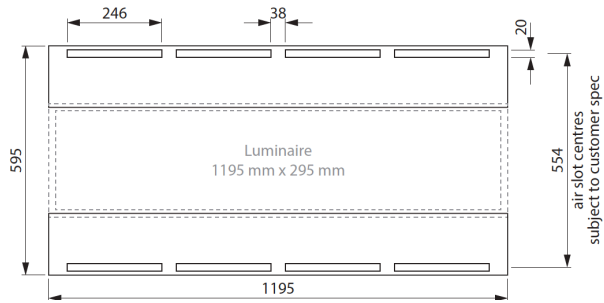
Model	Slots	Grid
AHF2050	2	600 mm x 400 mm
AHF4050	4	1200 mm x 400 mm
AHF2150	2	600 mm x 600 mm
AHF4150	4	1200 mm x 600 mm



Dimensions



AHF2050



AHF4150